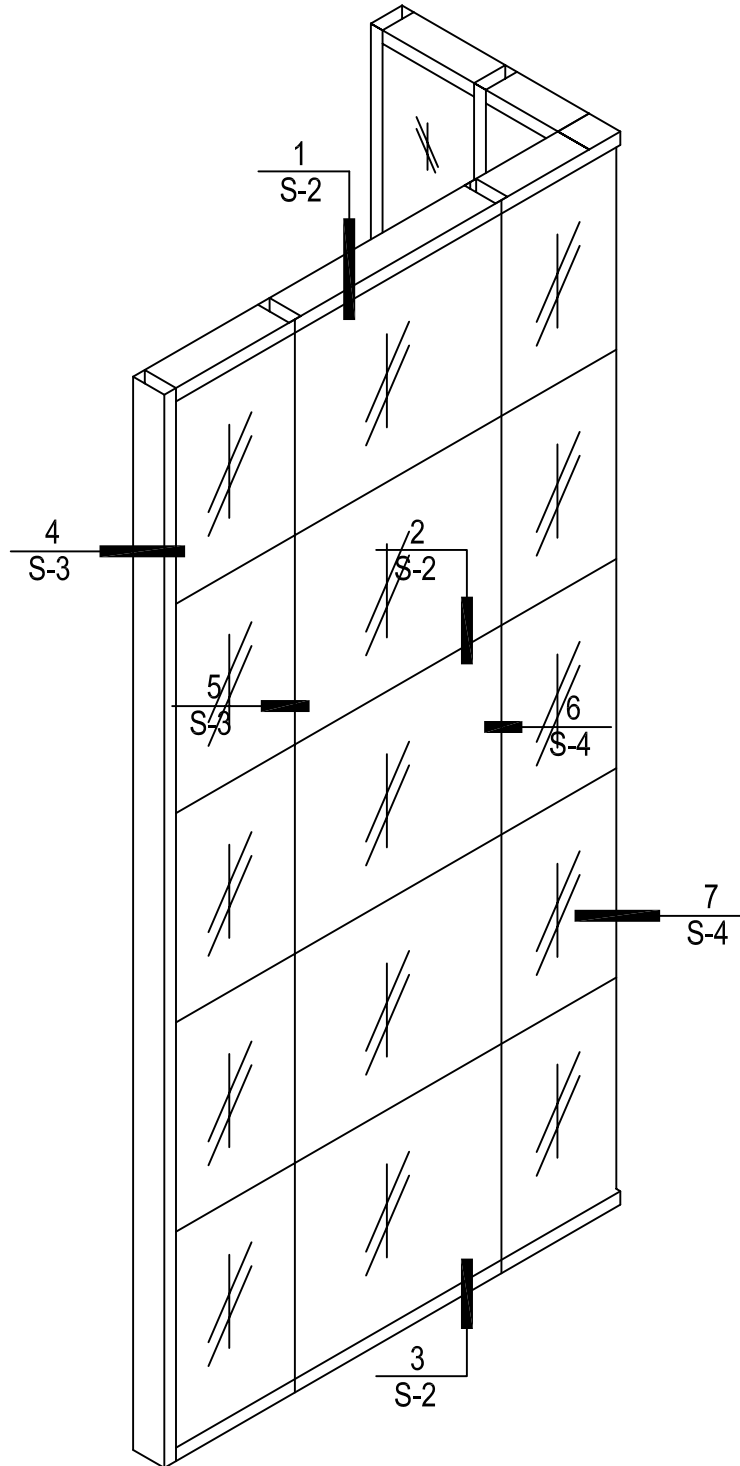




STRUCTURAL GLAZE SYSTEM

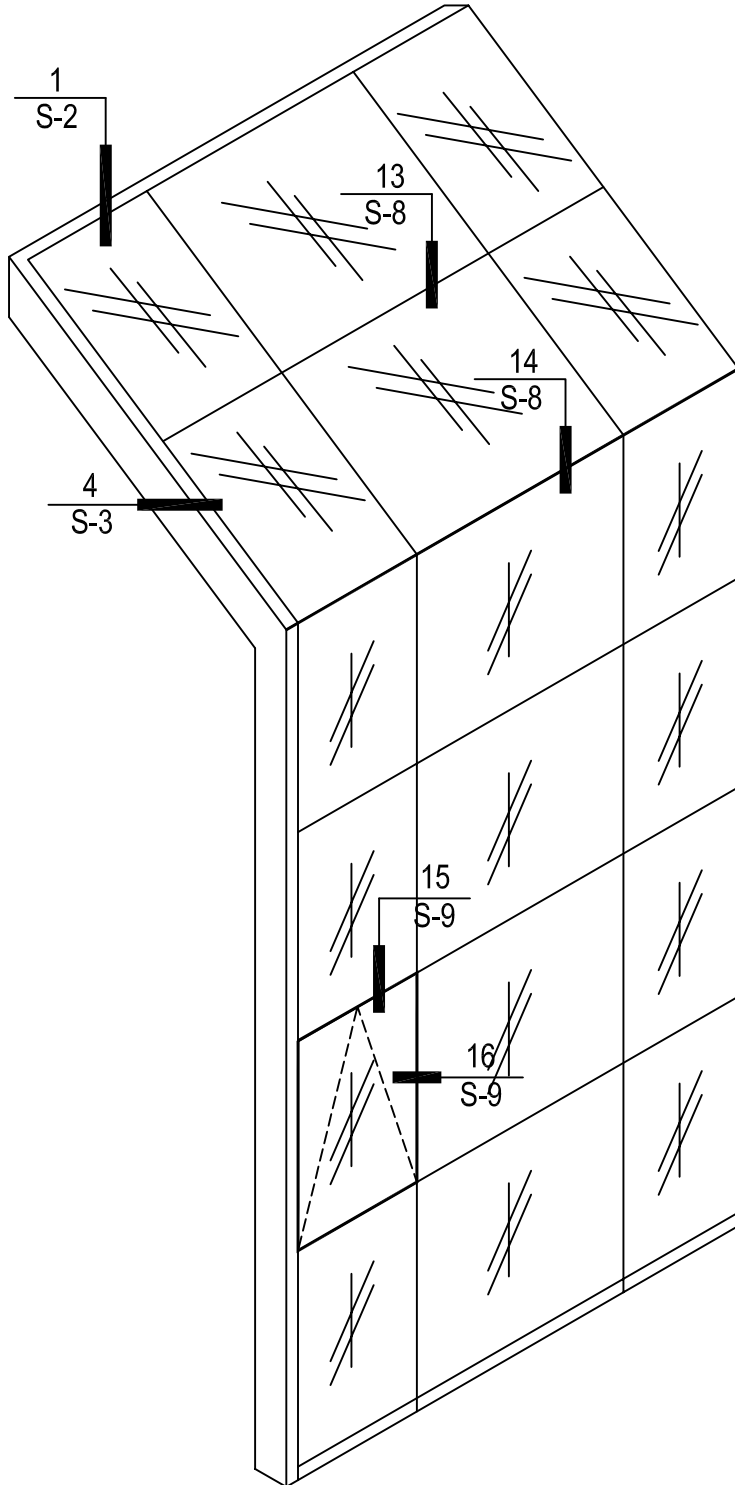


ELEVATIONS

S-1.A



STRUCTURAL GLAZE SYSTEM

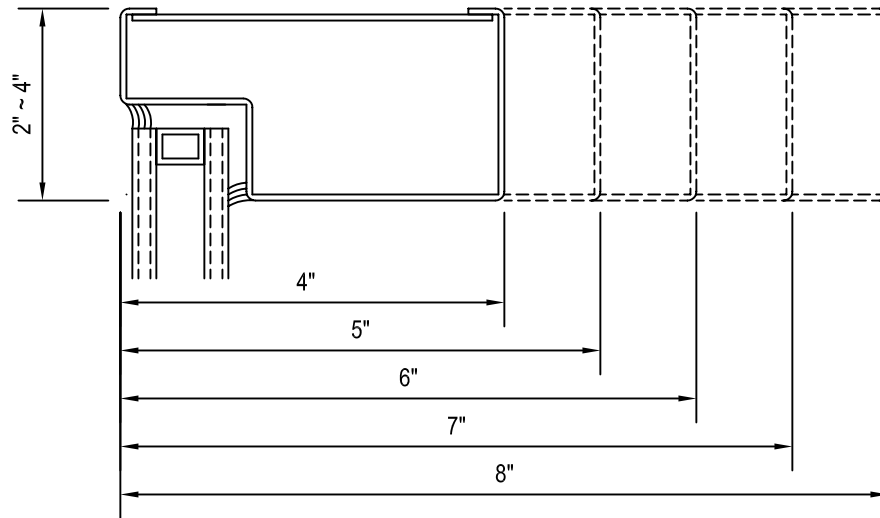


ELEVATIONS

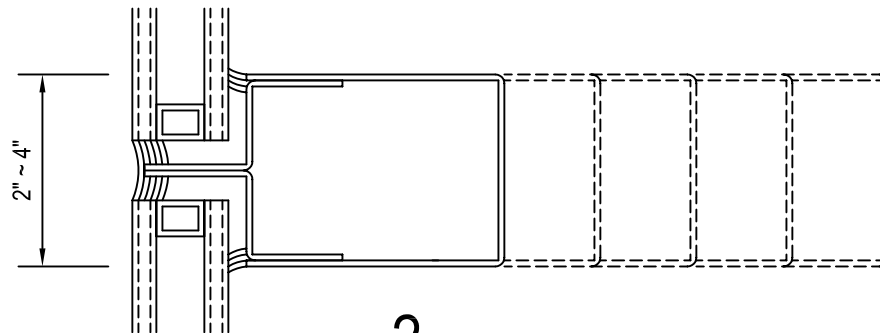
S-1.B



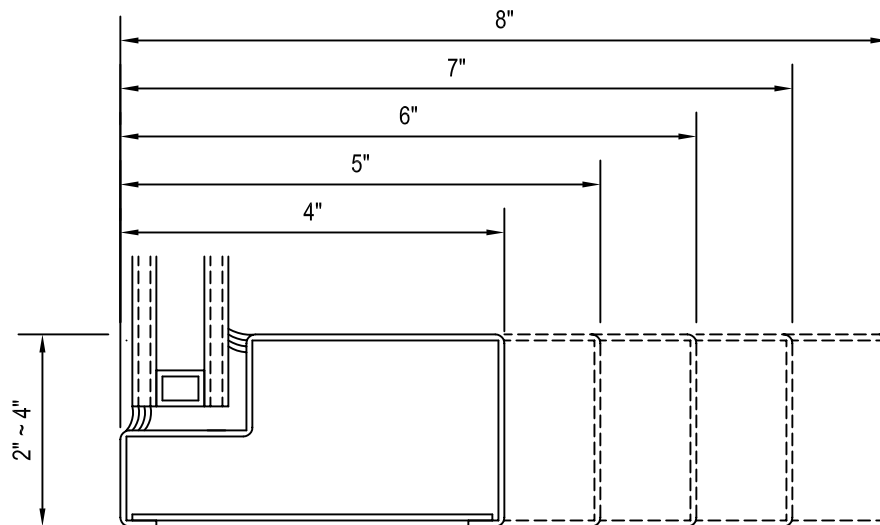
STRUCTURAL GLAZE SYSTEM



1



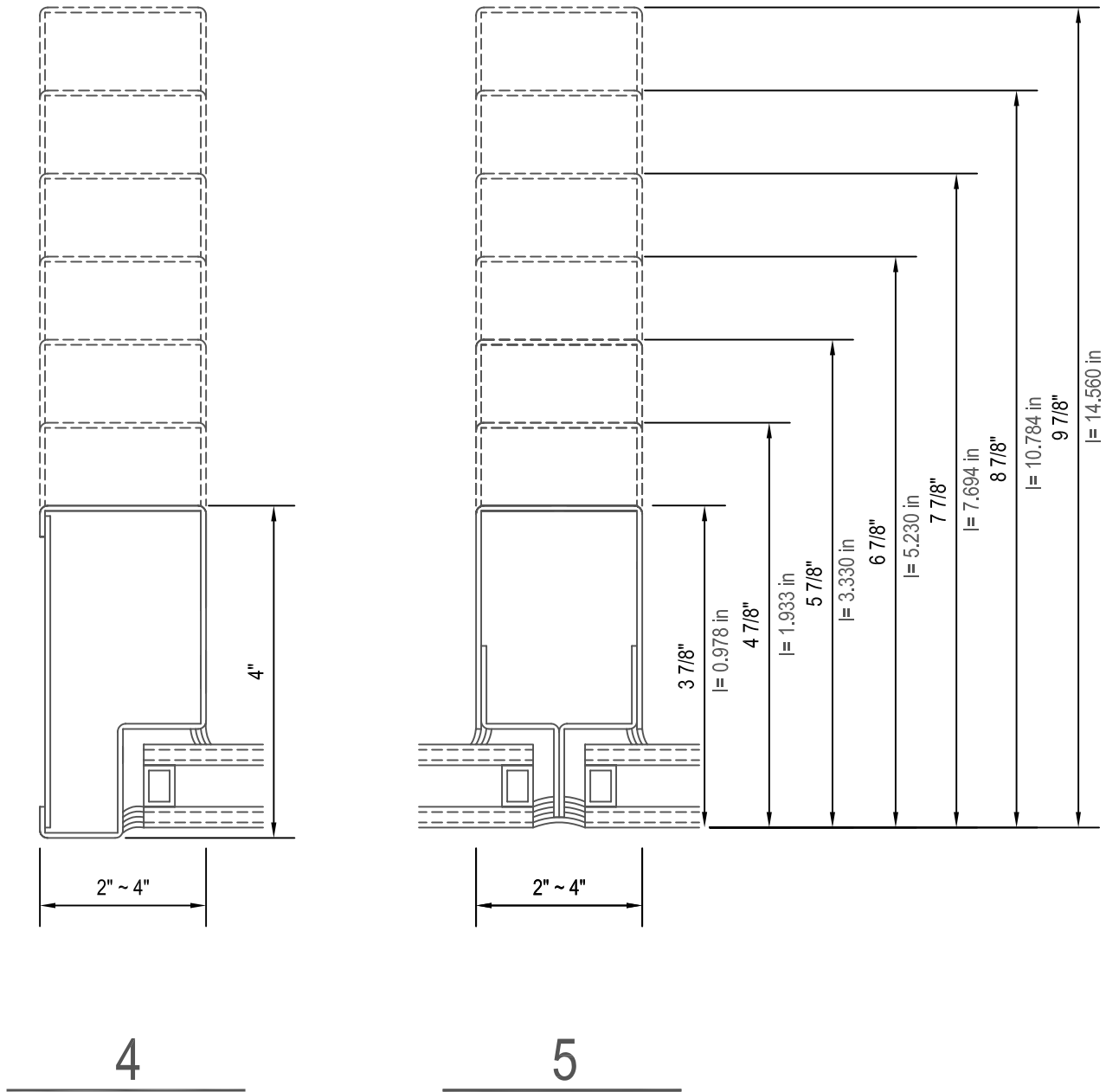
2



3

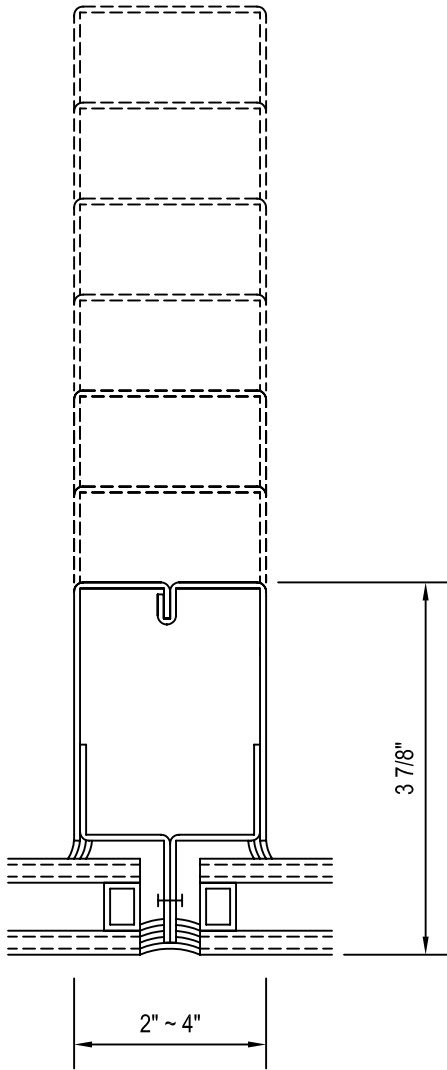


STRUCTURAL GLAZE SYSTEM



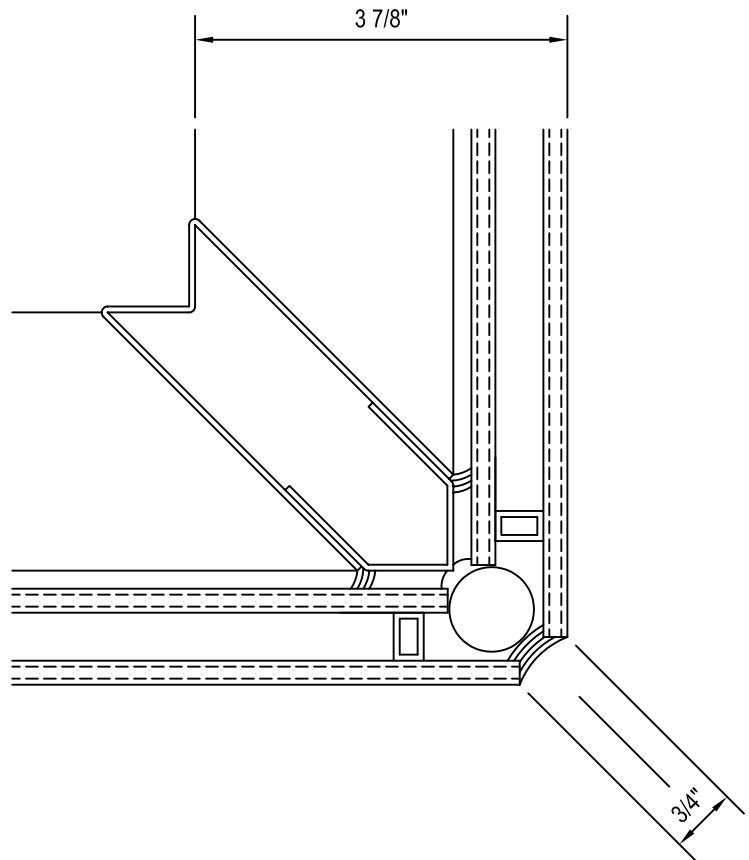


STRUCTURAL GLAZE SYSTEM



**6**

SPLIT-MULLION

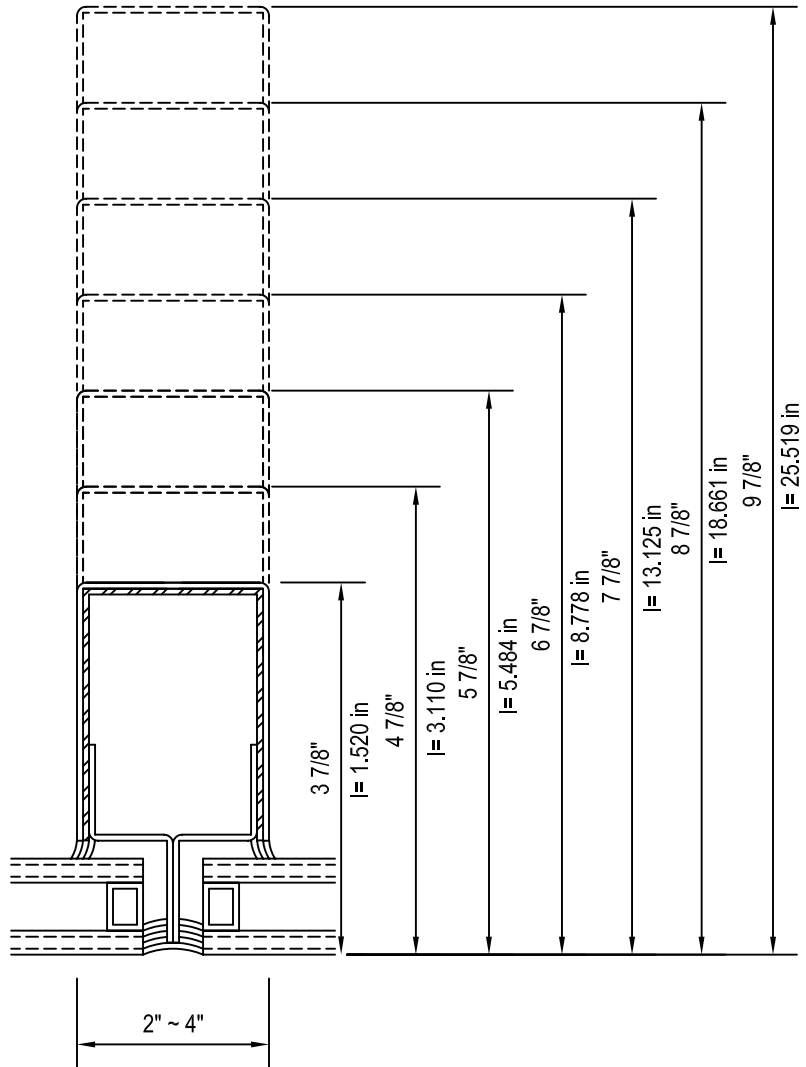


**7**

90° CORNER MULLION



STRUCTURAL GLAZE SYSTEM



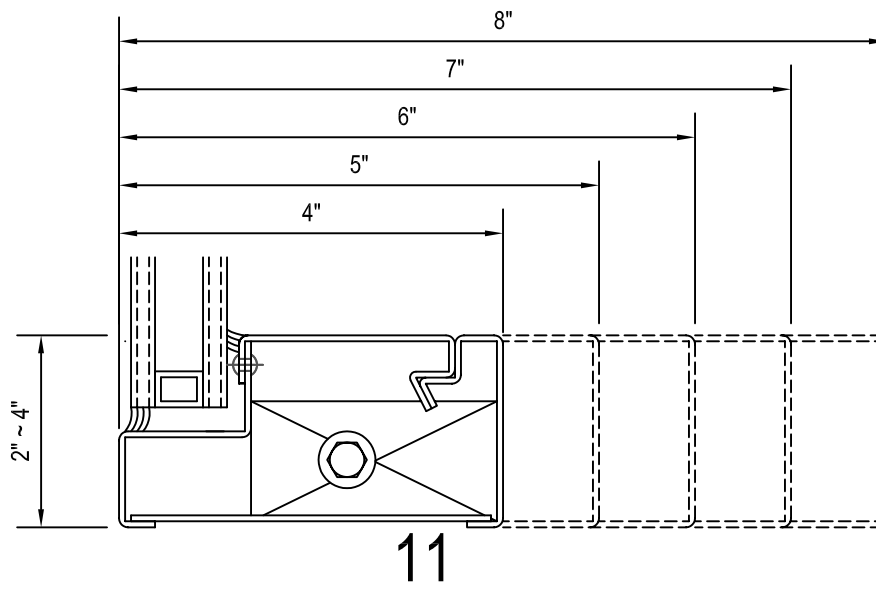
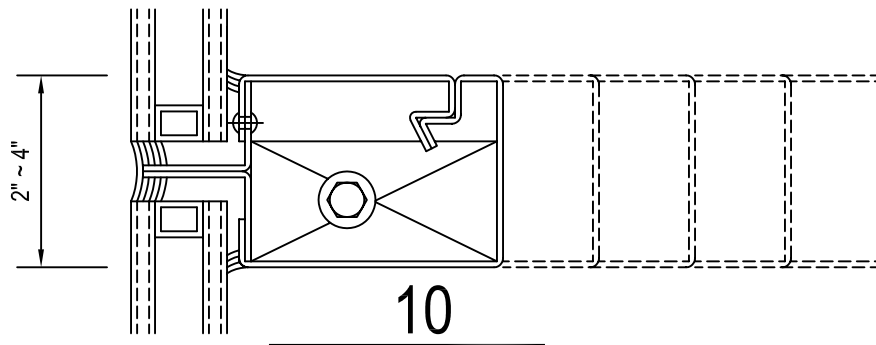
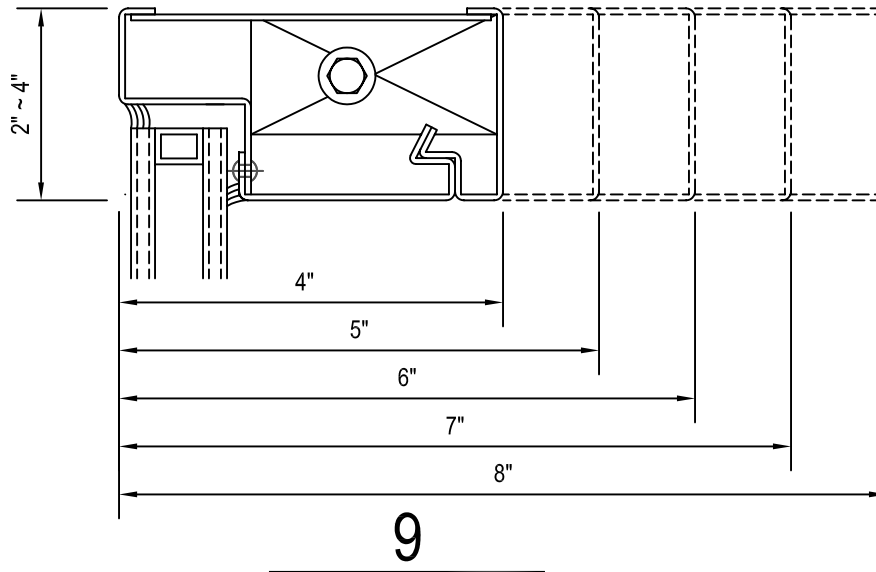
8

14 GAUGE REINFORCING



MECHANICAL FASTEN

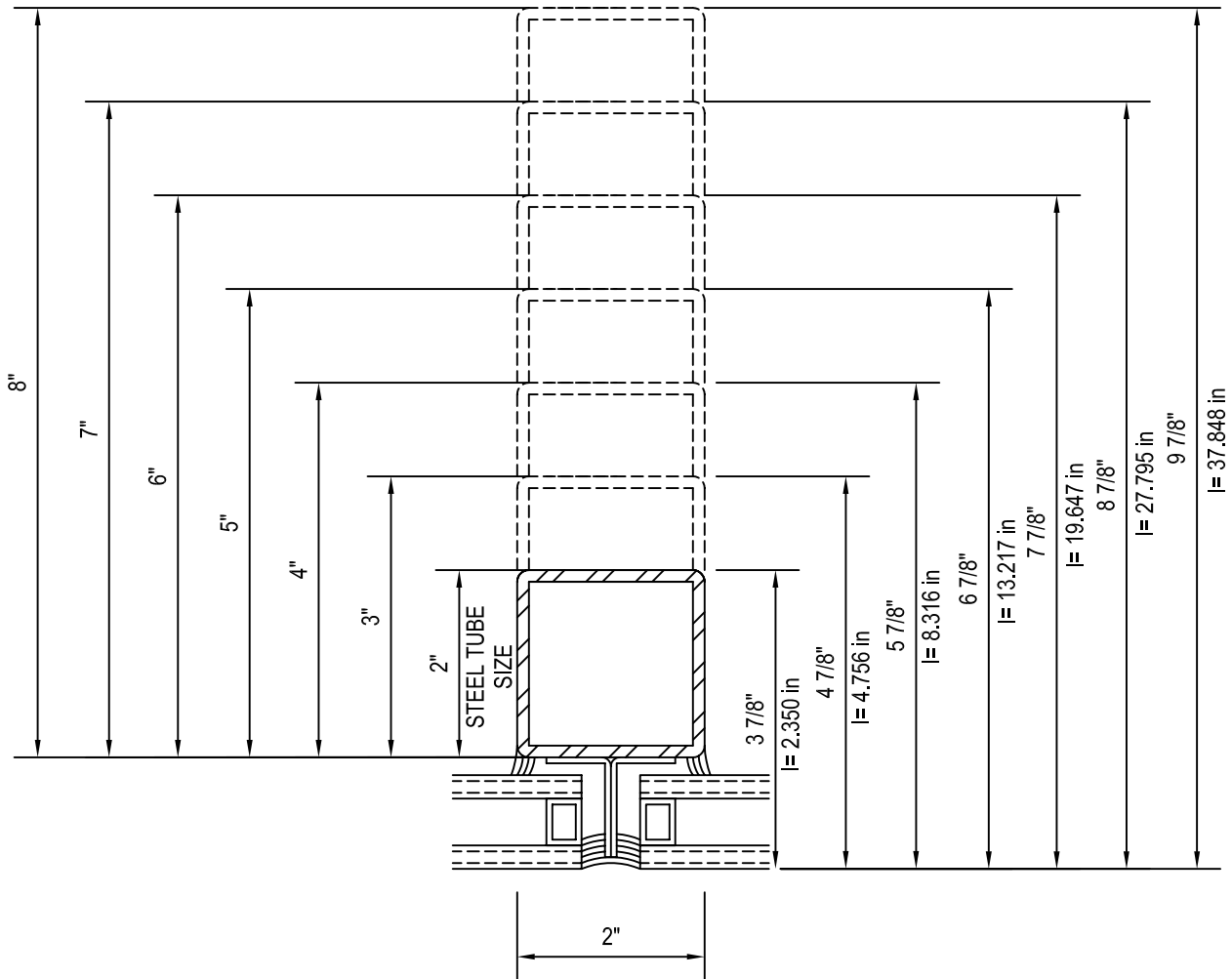
STRUCTURAL GLAZE SYSTEM





3/16" THICK STRUCTURAL TUBE

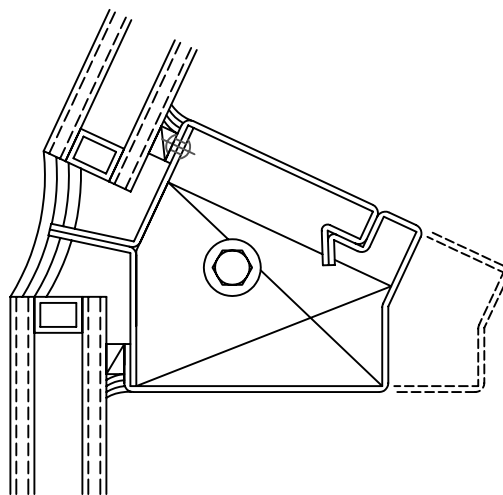
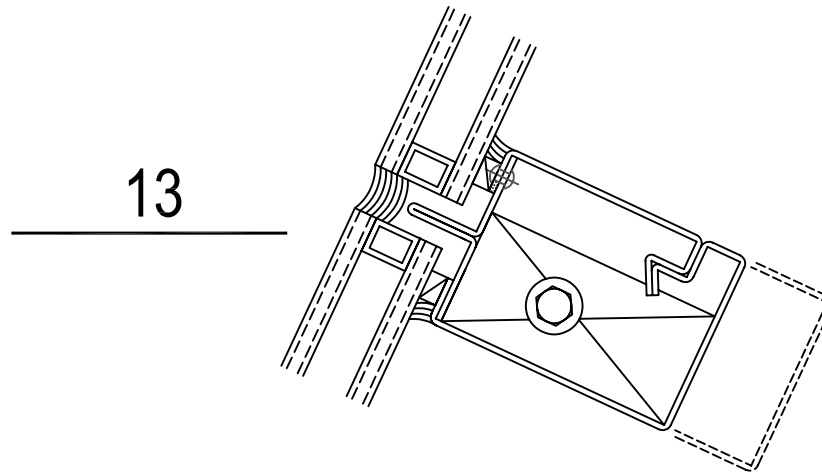
STRUCTURAL GLAZE SYSTEM



12



STRUCTURAL GLAZE SYSTEM

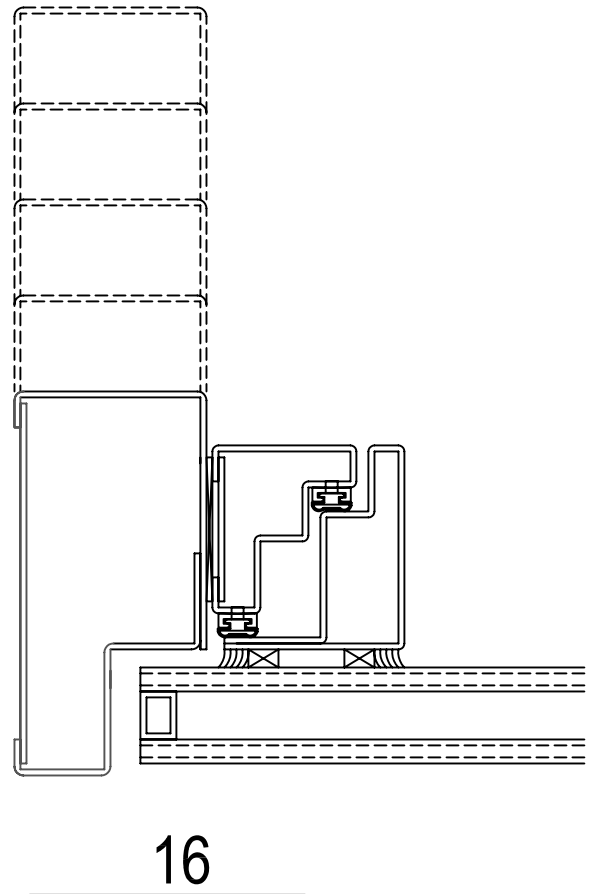
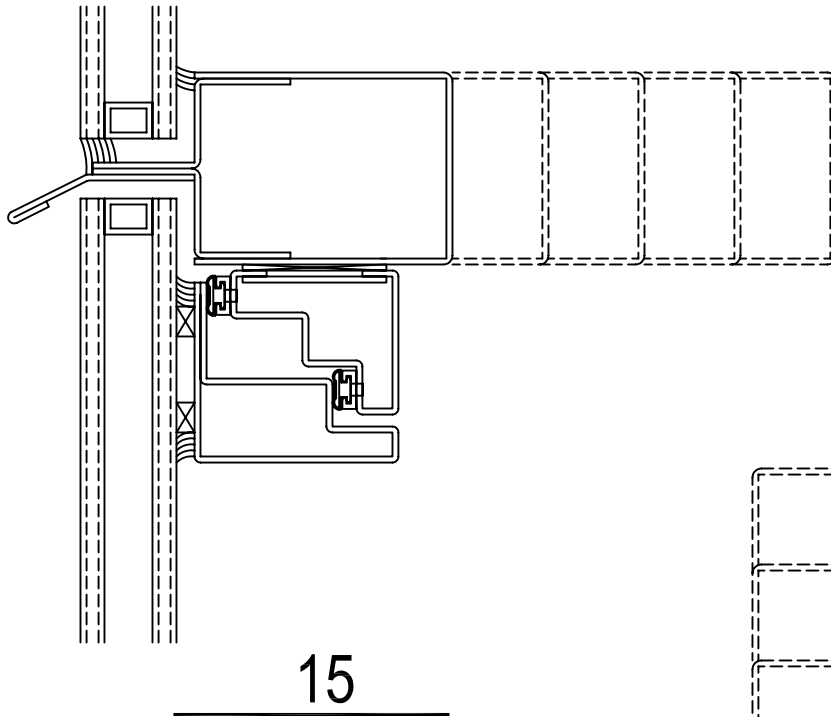


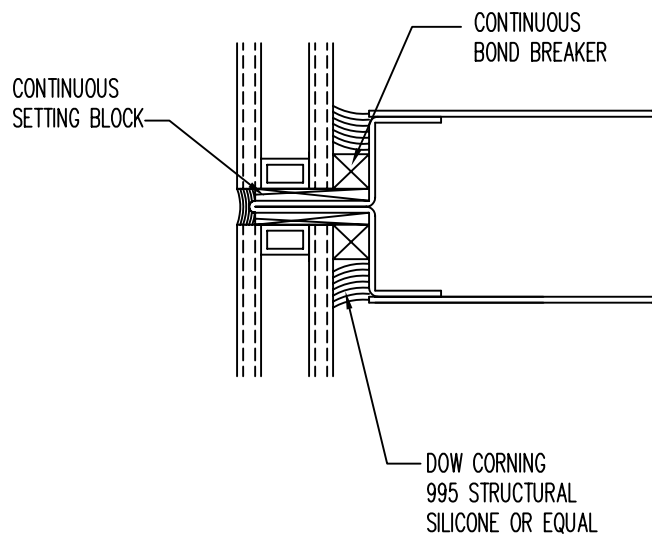
14



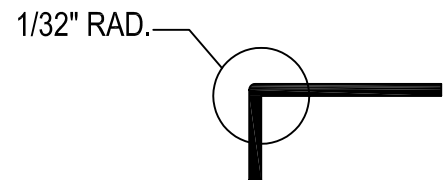
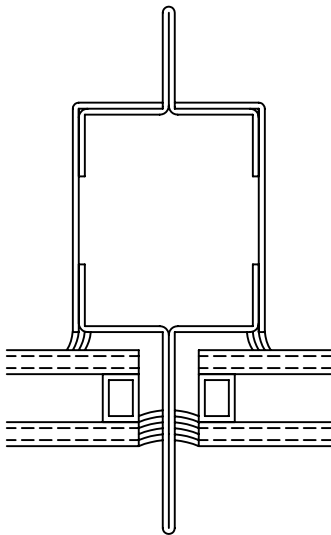
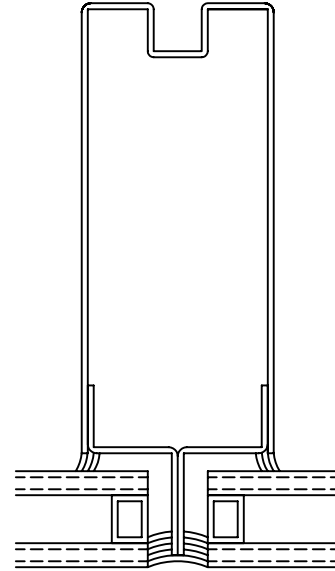
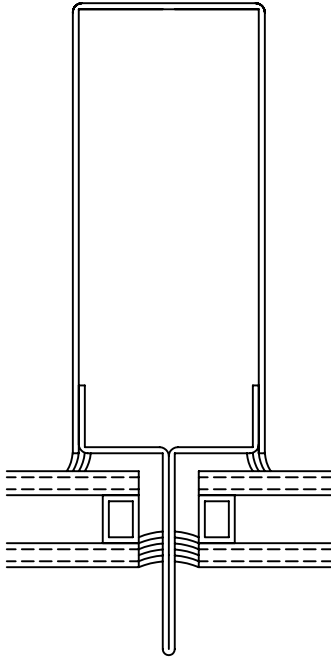
OPERABLE VENT

STRUCTURAL GLAZE SYSTEM

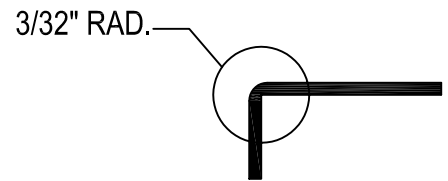




STRUCTURAL "BUTT"  
GLAZING TYPICAL



V-CUT BEND



STANDARD BEND

FLEXIBILITY OF CUSTOM  
DESIGNS AND BENDS