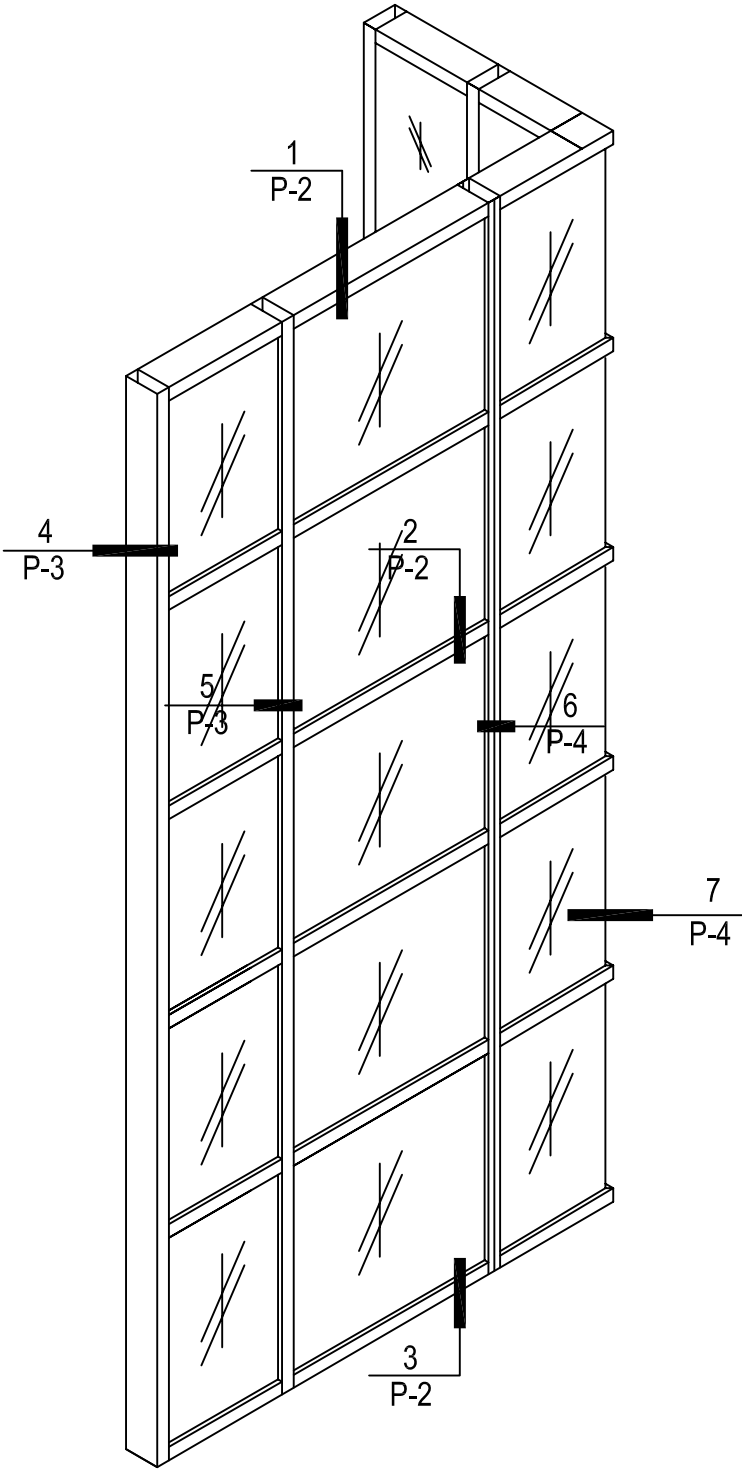




PRESSURE GLAZE SYSTEM

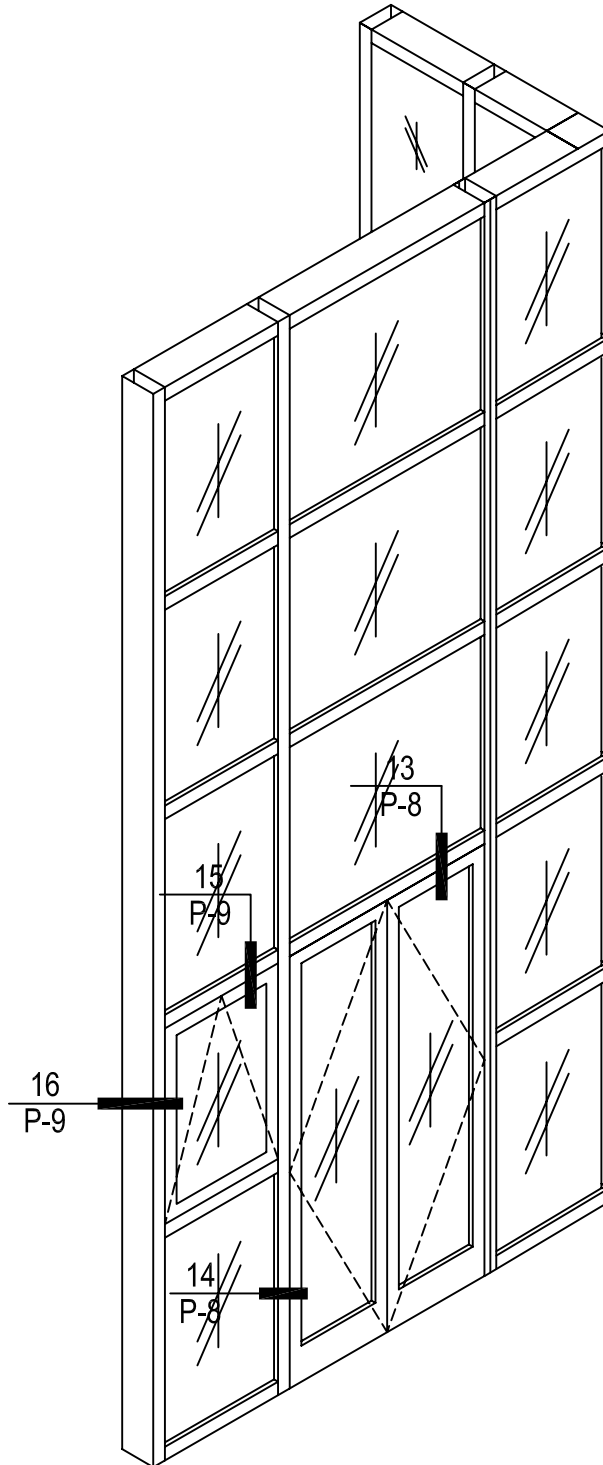


ELEVATIONS

P-1.A



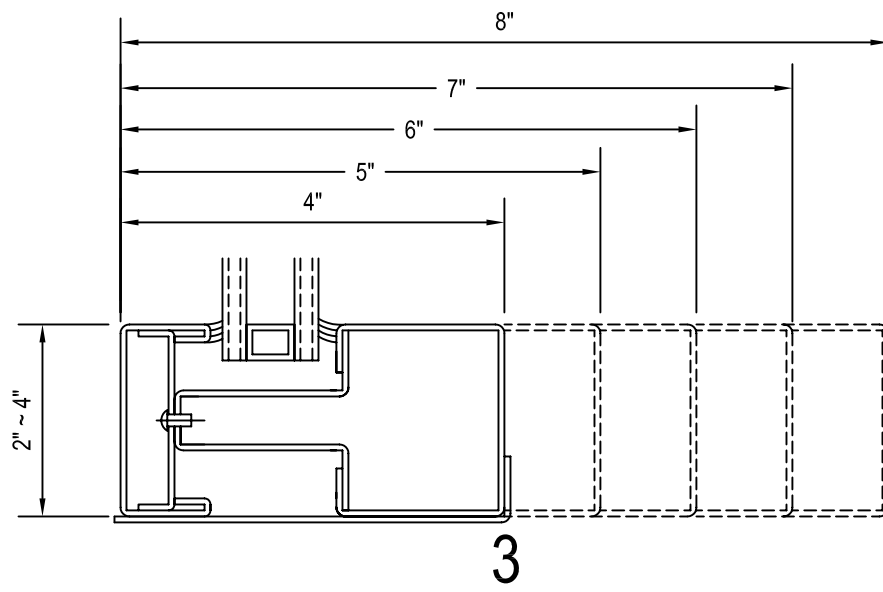
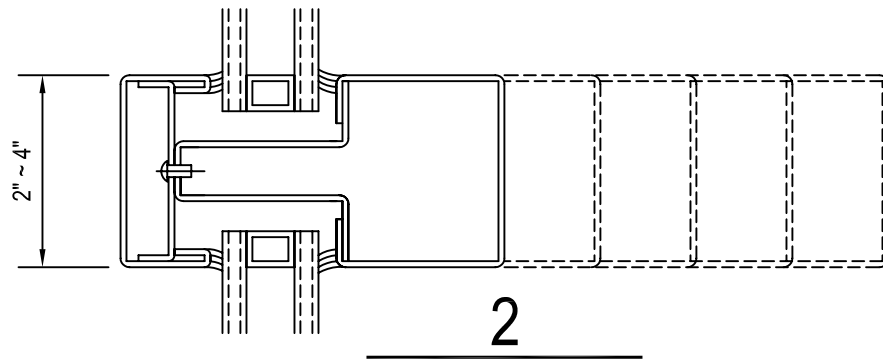
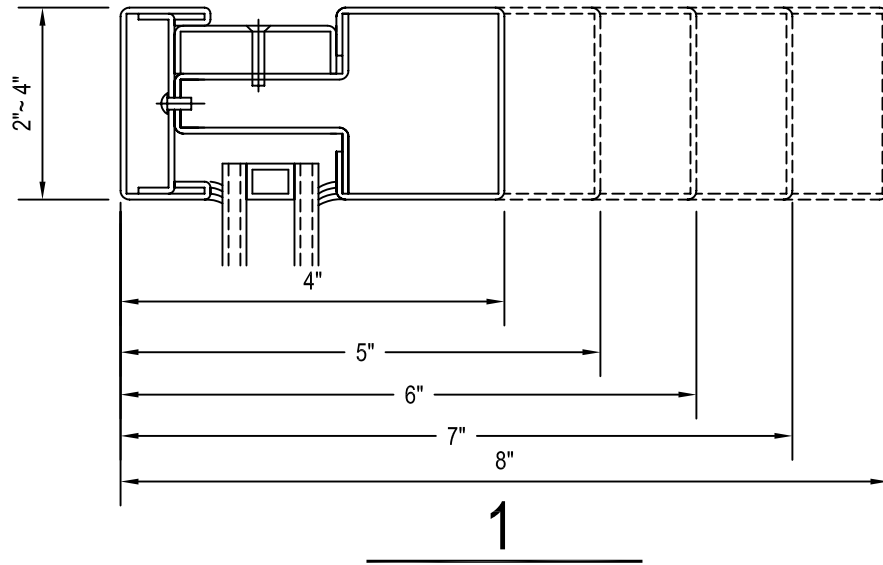
PRESSURE GLAZE SYSTEM



ELEVATIONS

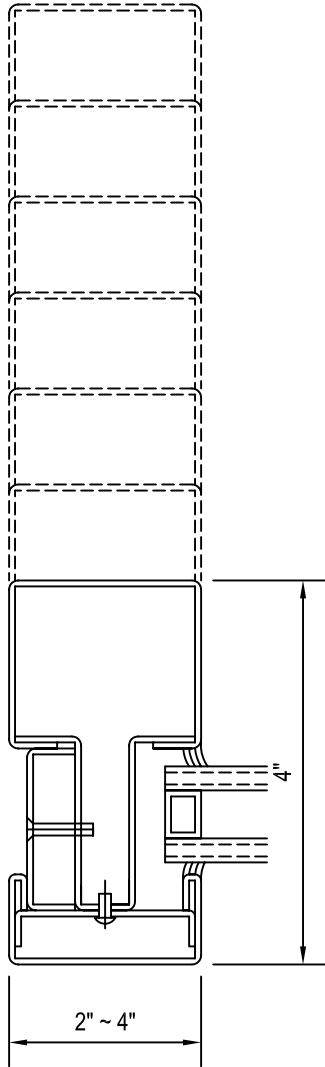


PRESSURE GLAZE SYSTEM

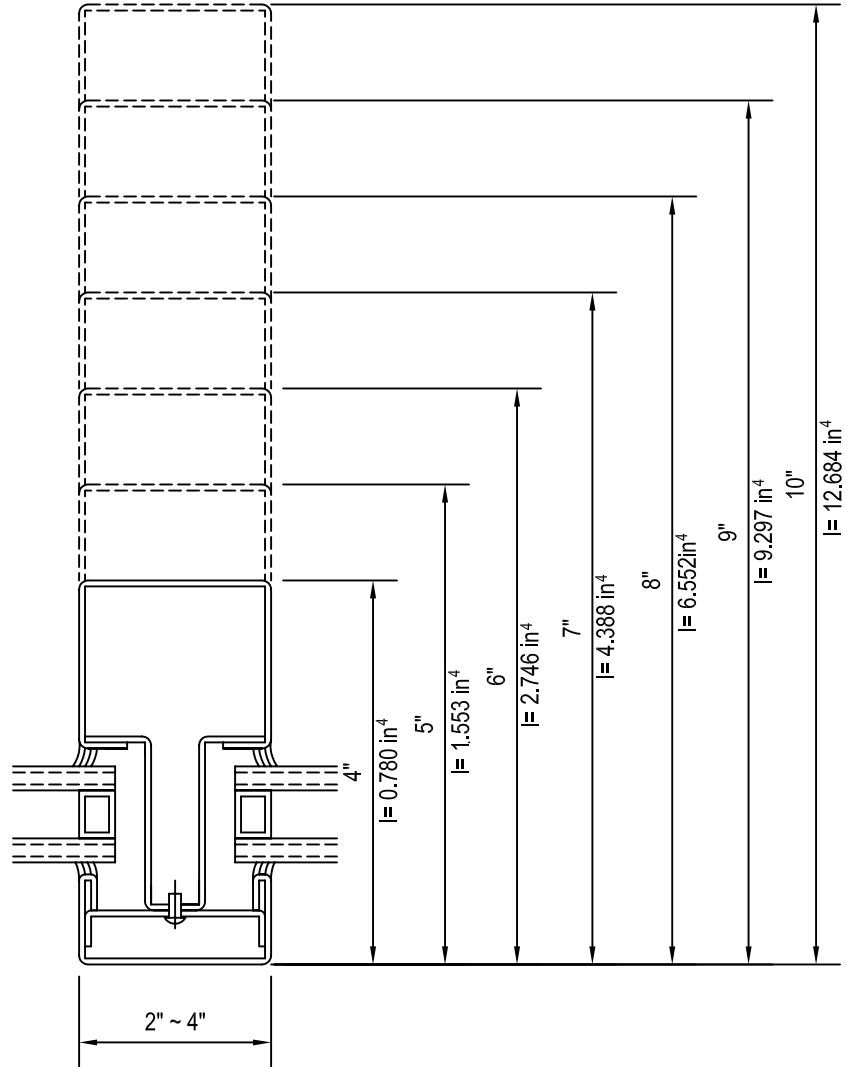




PRESSURE GLAZE SYSTEM



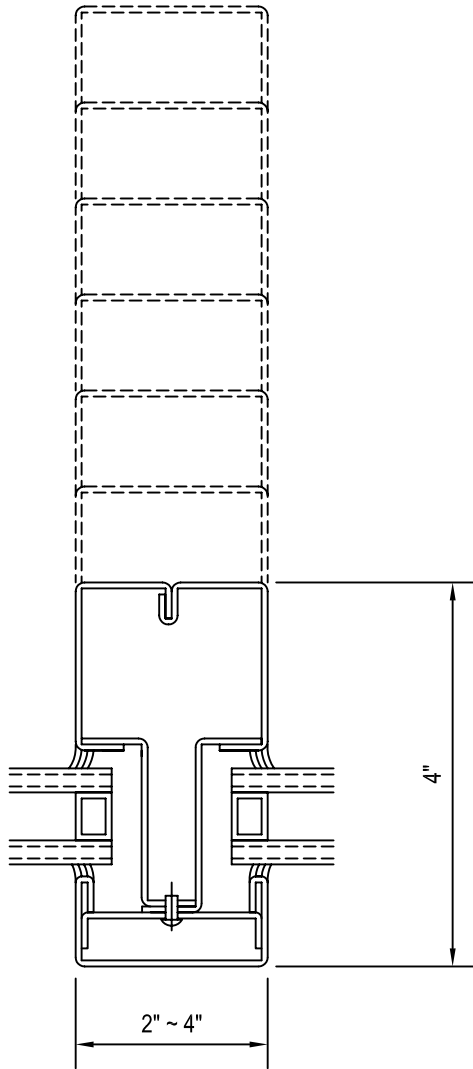
4



5

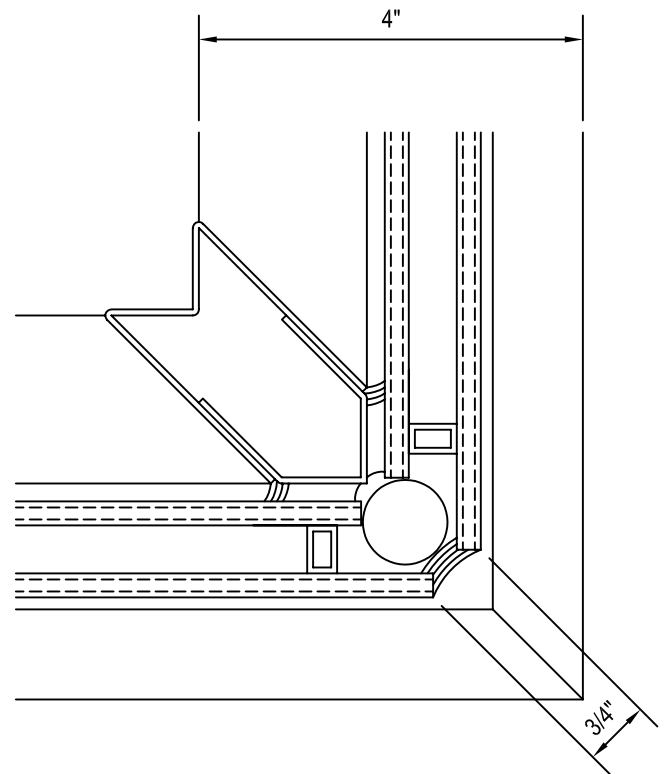


PRESSURE GLAZE SYSTEM



**6**

SPLIT MULLION

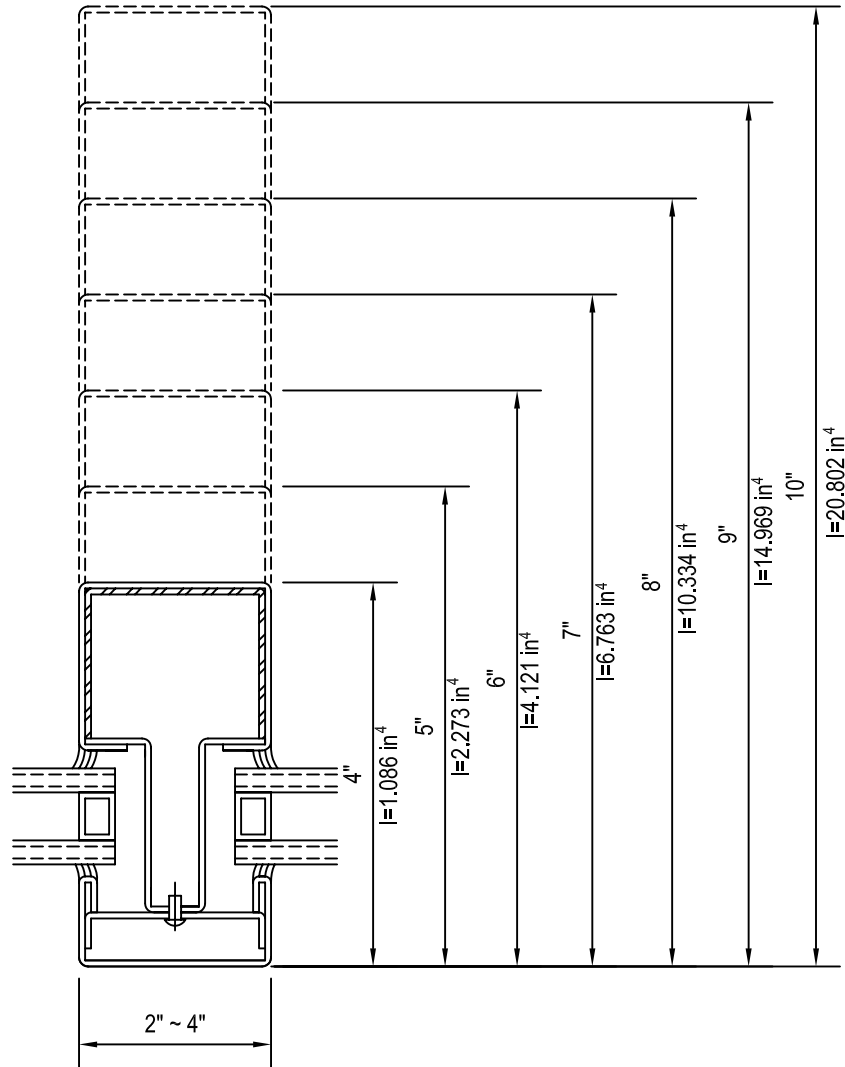


**7**

90° CORNER MULLION



PRESSURE GLAZE SYSTEM



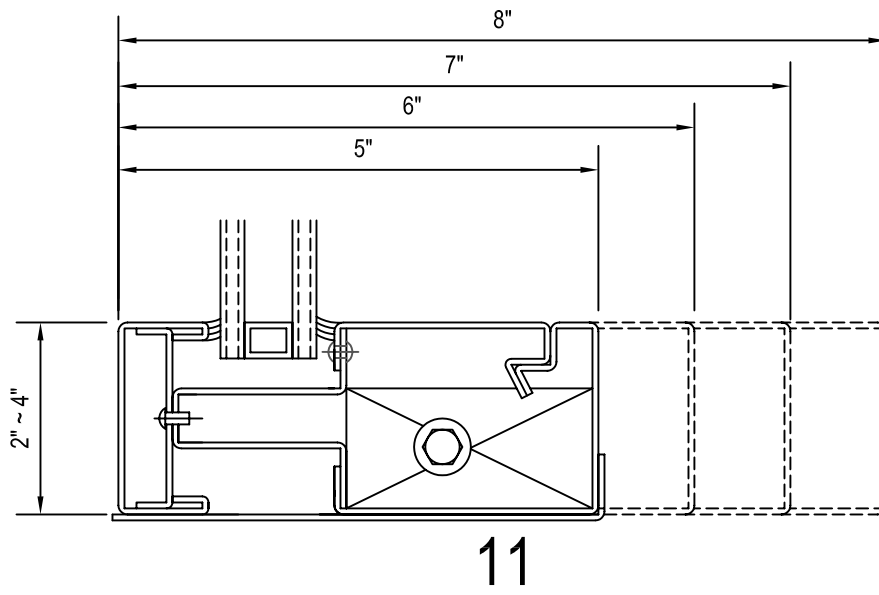
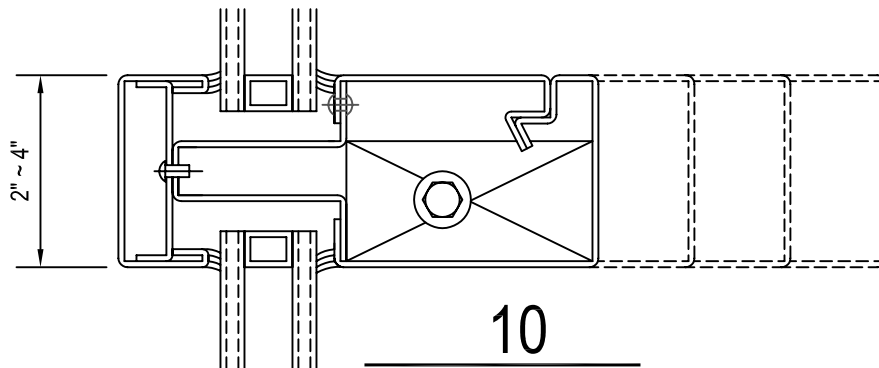
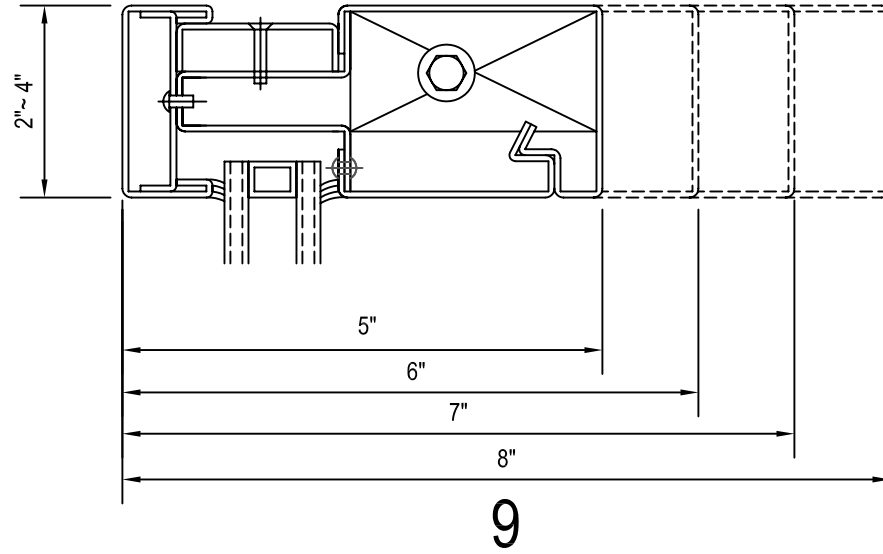
8

14 GAUGE REINFORCING



MECHANICAL FASTEN

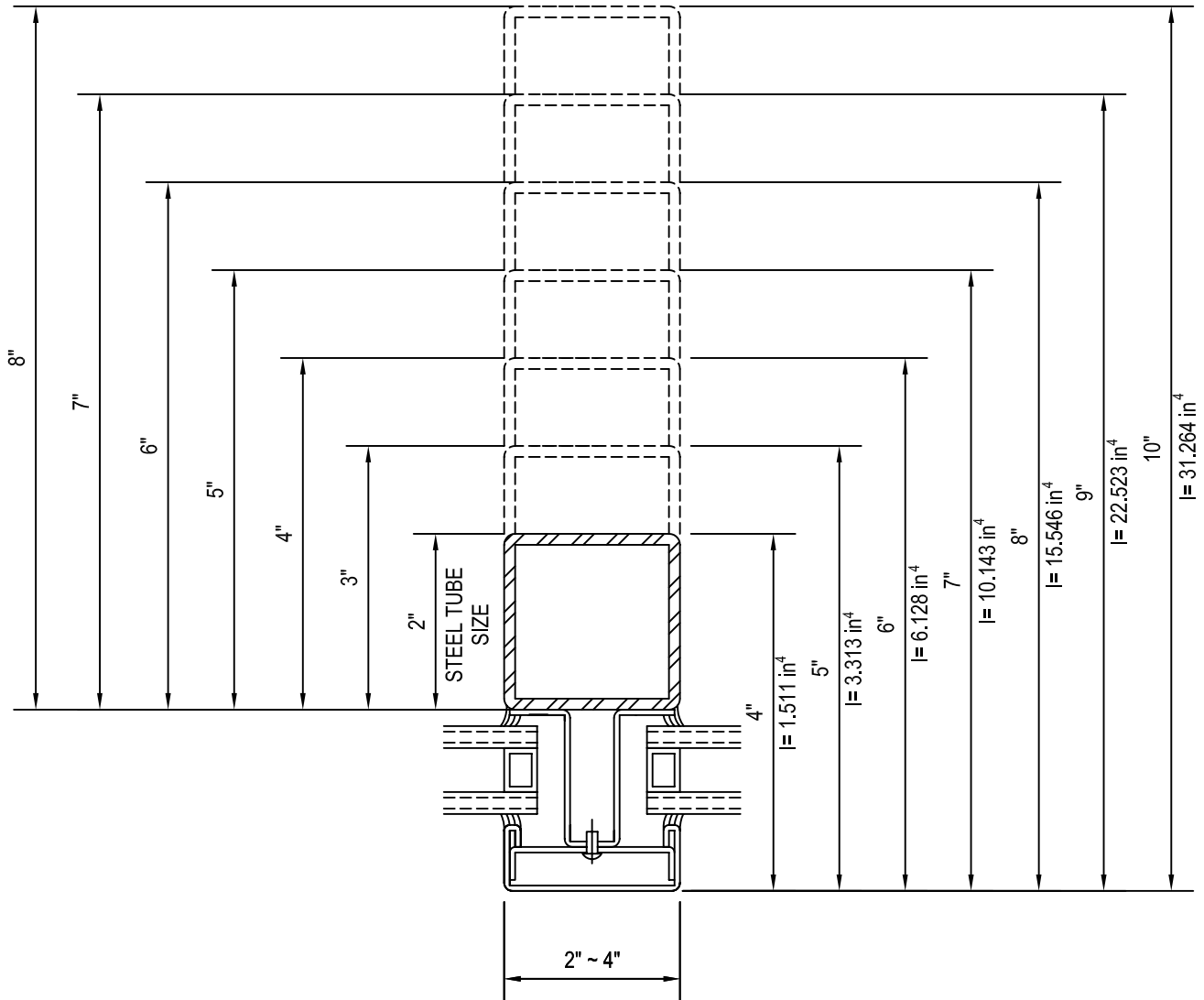
PRESSURE GLAZE SYSTEM





3/16" THICK STRUCTURAL TUBE

PRESSURE GLAZE SYSTEM

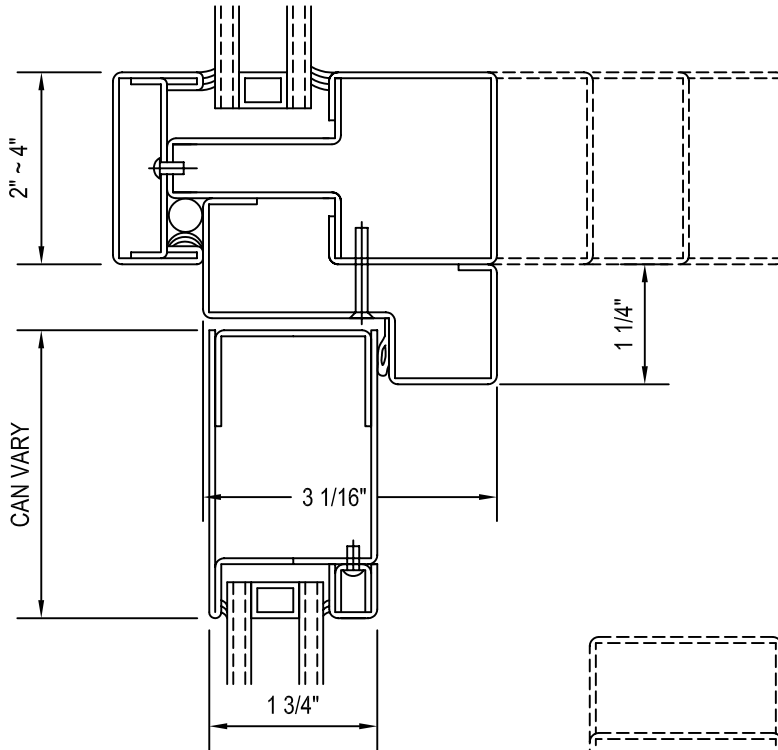


12

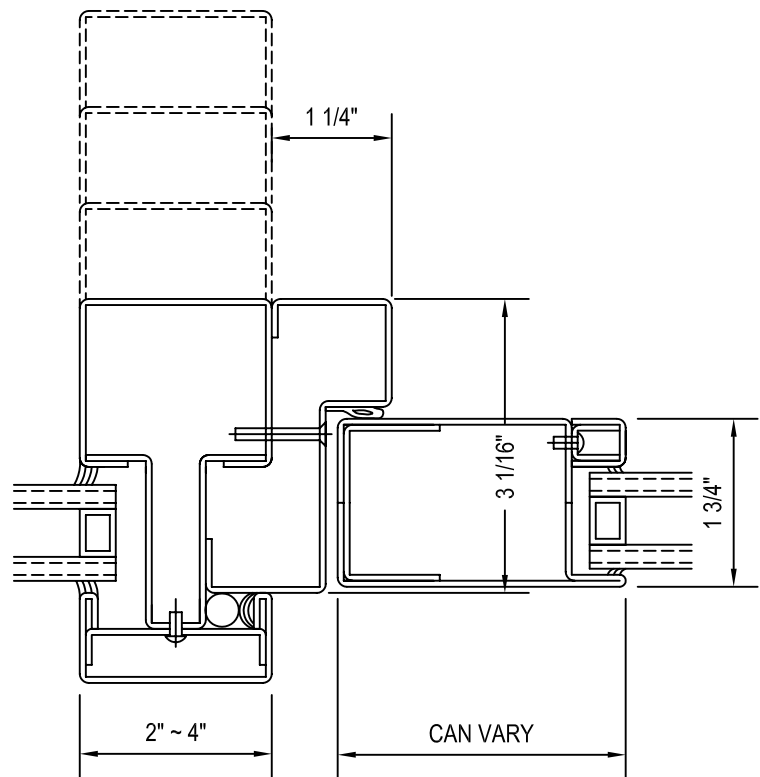


DOOR AND SUB FRAME

PRESSURE GLAZE SYSTEM



13

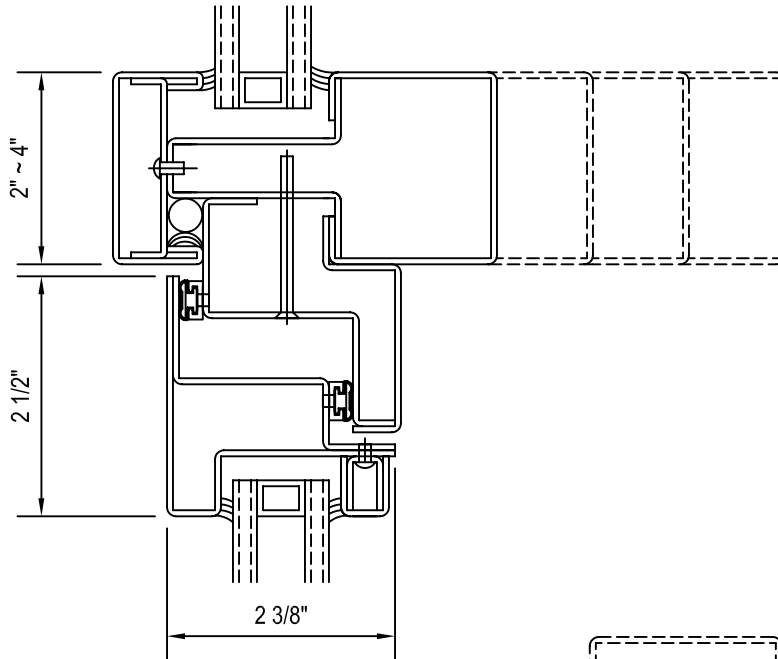


14

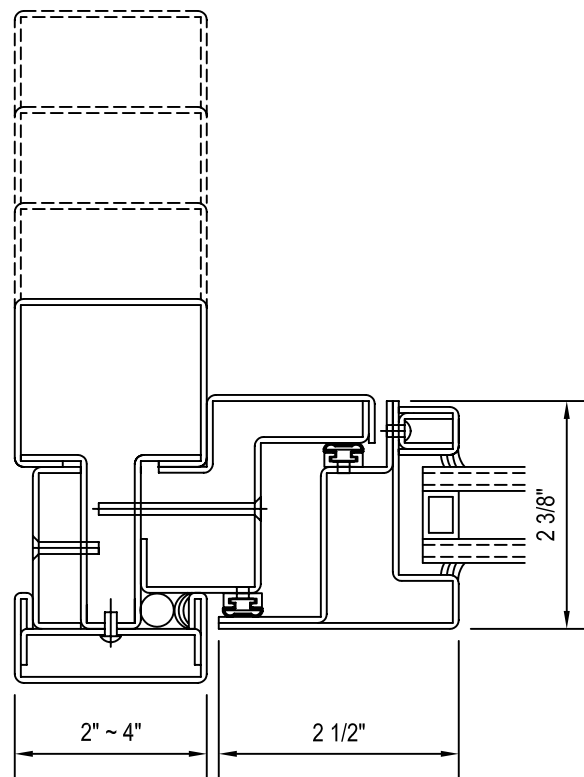


OPERABLE VENT

PRESSURE GLAZE SYSTEM



15

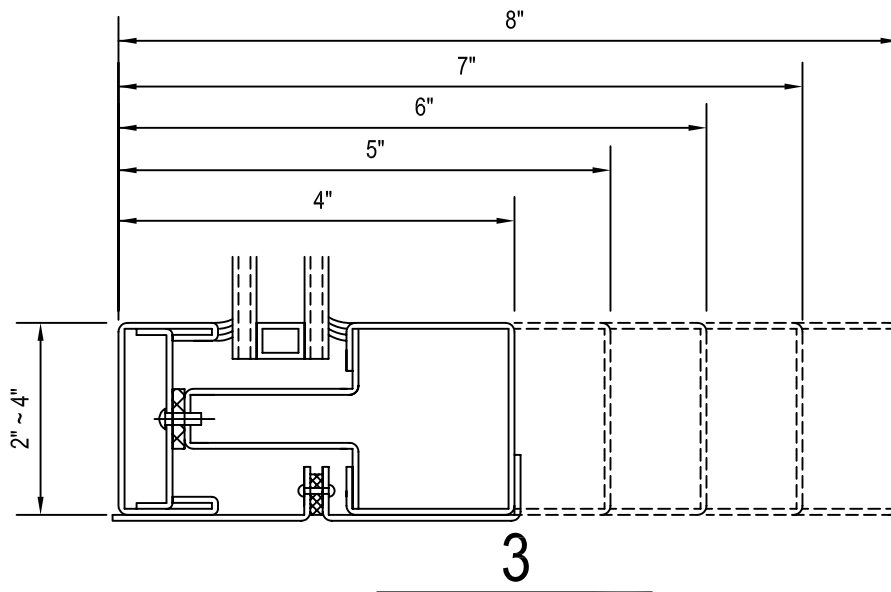
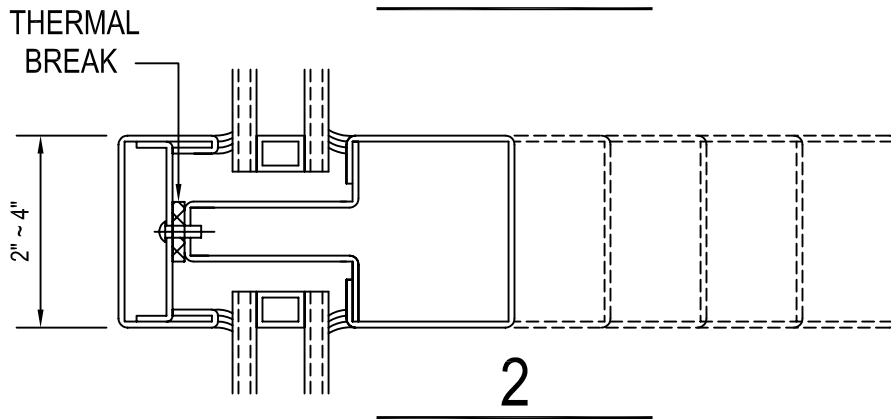
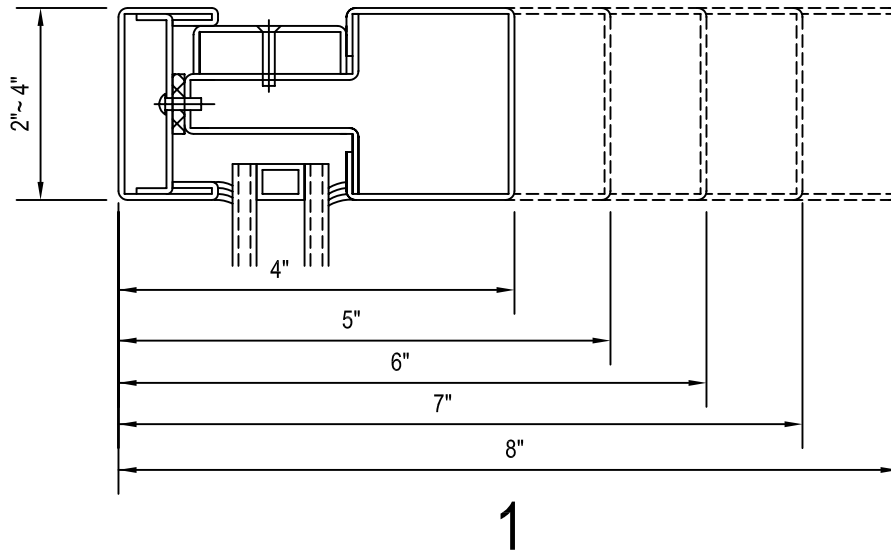


16



THERMAL BREAK

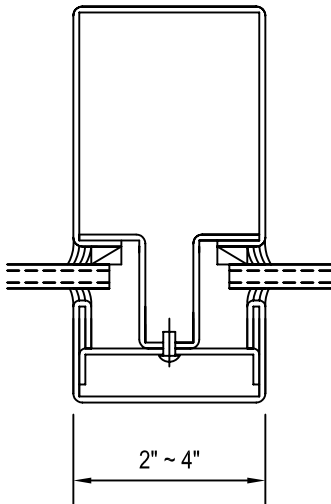
PRESSURE GLAZE SYSTEM



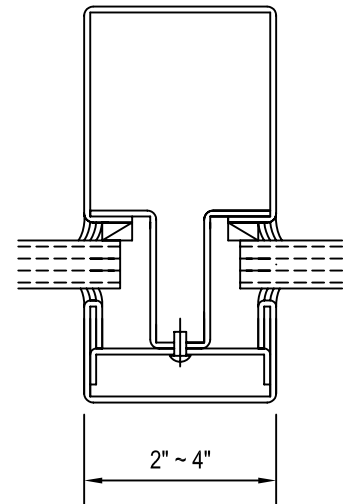


GLAZING OPTION

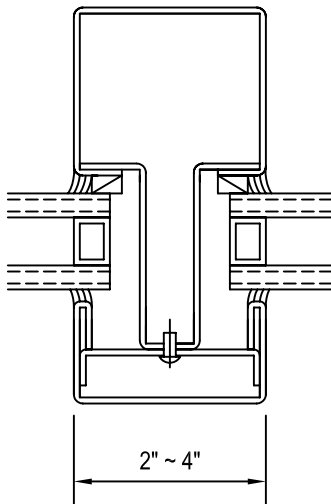
PRESSURE GLAZE SYSTEM



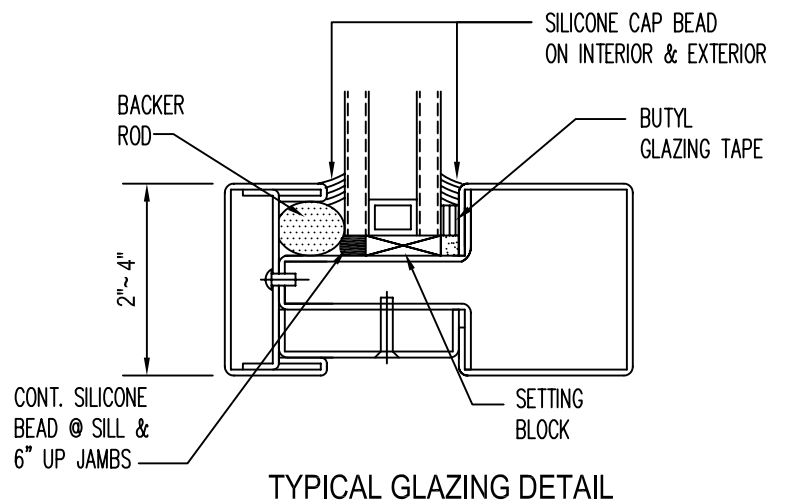
1/4" GLAZING OPTION

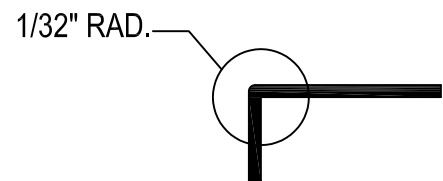
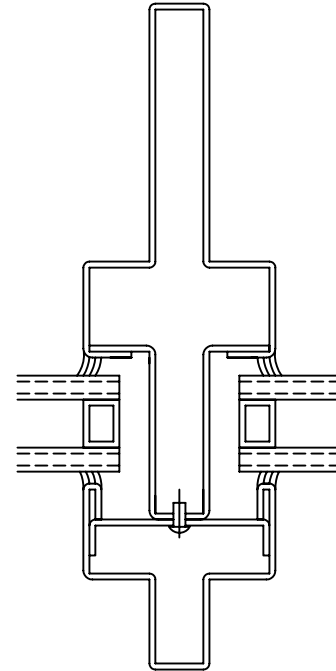
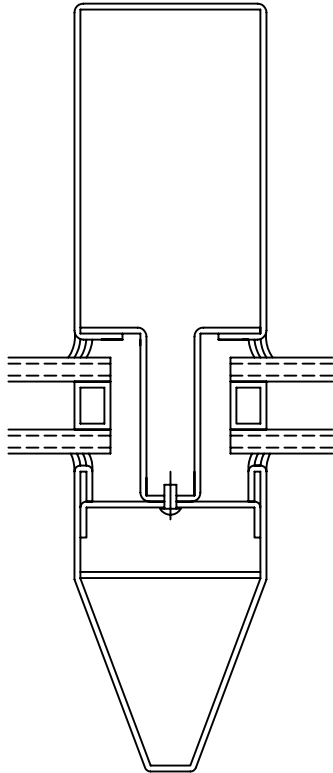


1/2" GLAZING OPTION

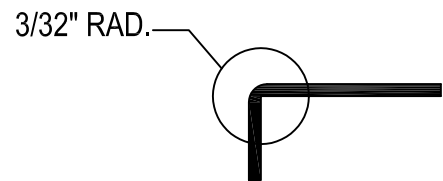
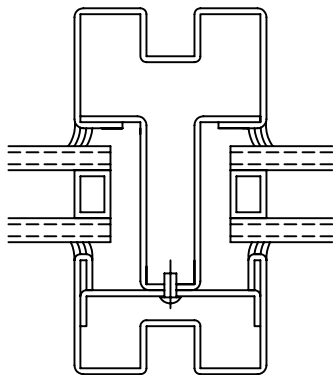


1" GLAZING OPTION





V-CUT BEND



STANDARD BEND

FLEXIBILITY OF CUSTOM  
DESIGNS AND BENDS