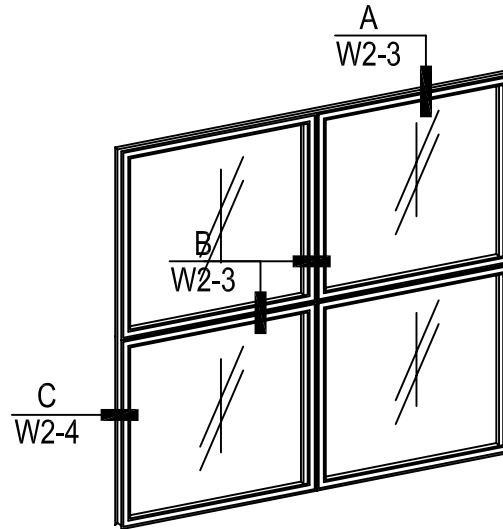


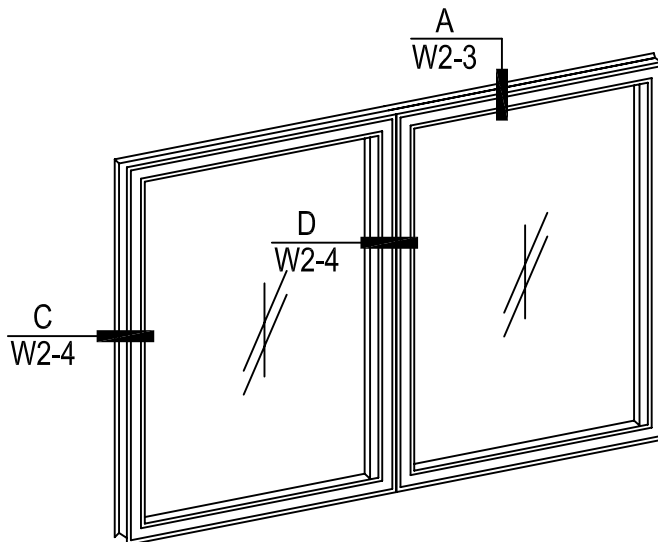


W20

HOT-ROLLED SYSTEM



FIXED WINDOWS



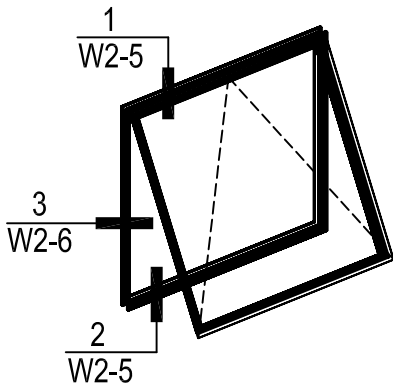
ELEVATIONS

W2-1

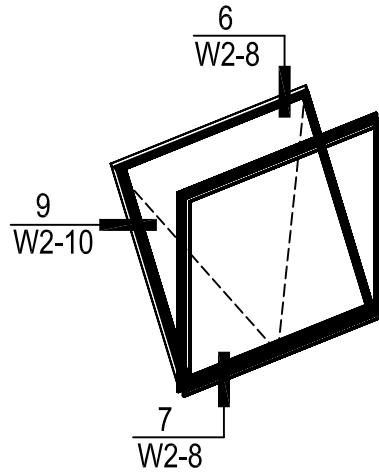


W20

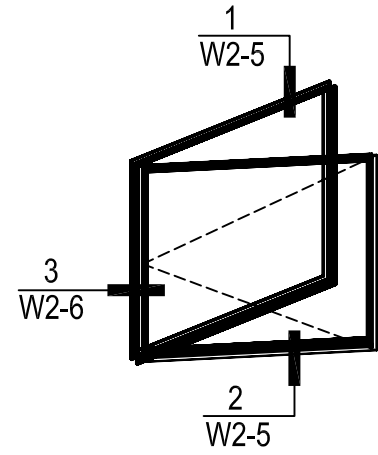
HOT-ROLLED SYSTEM



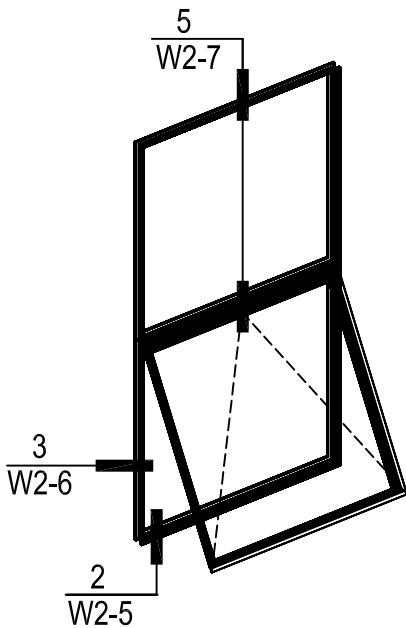
PROJECTED OUT



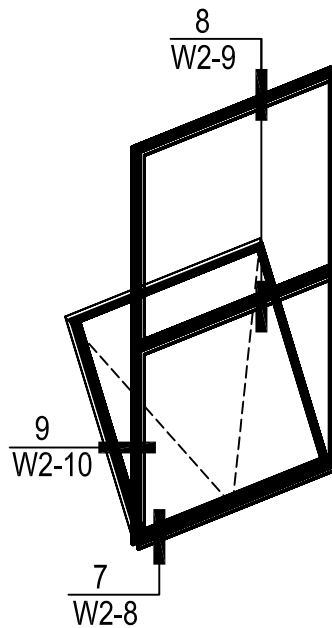
PROJECTED IN



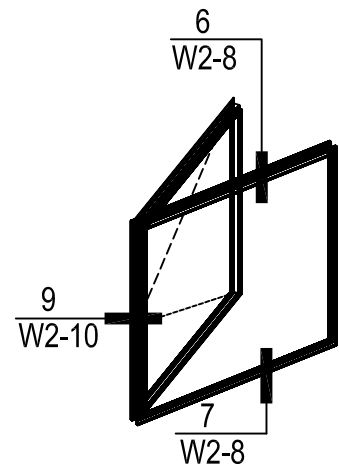
OUT SWING



PROJECTED OUT



PROJECTED IN



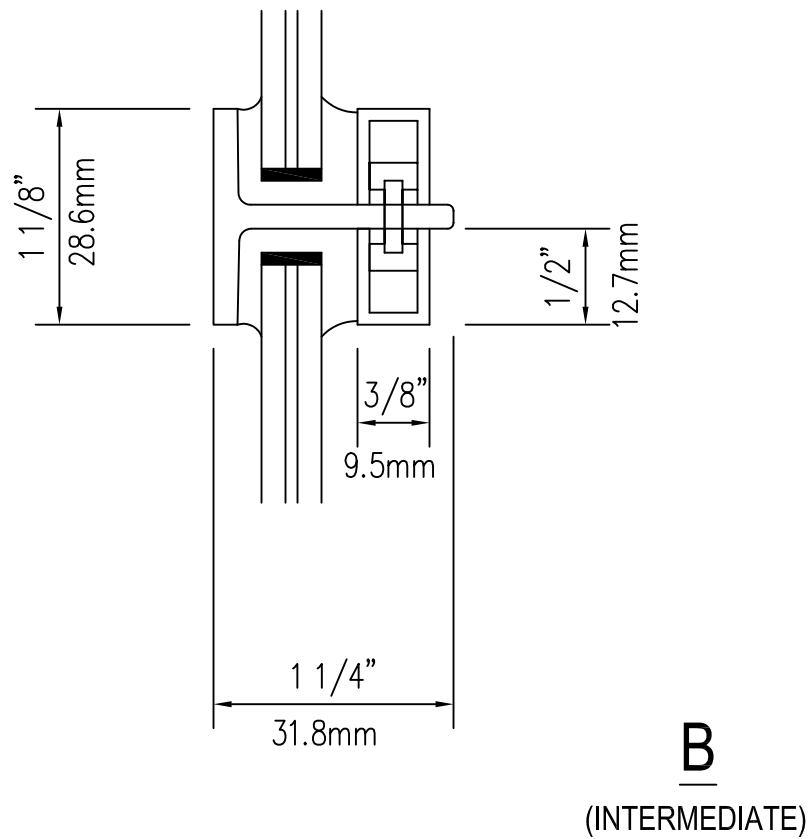
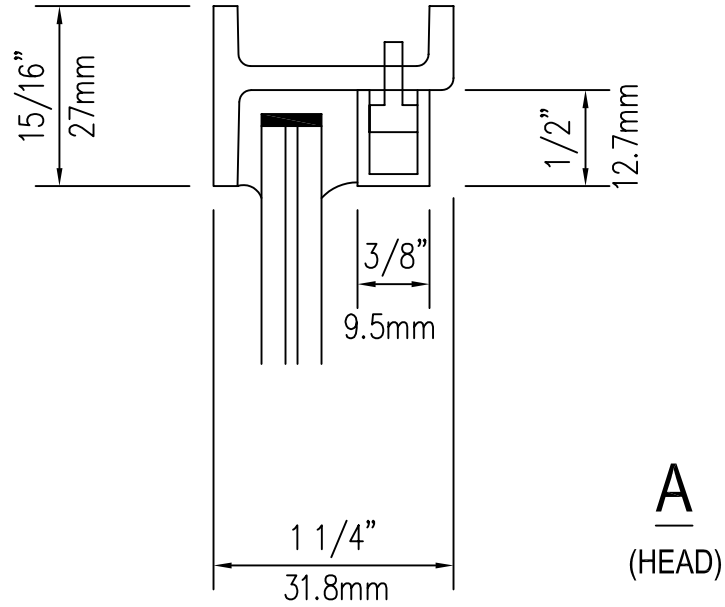
IN SWING

ELEVATIONS



W20

HOT-ROLLED SYSTEM

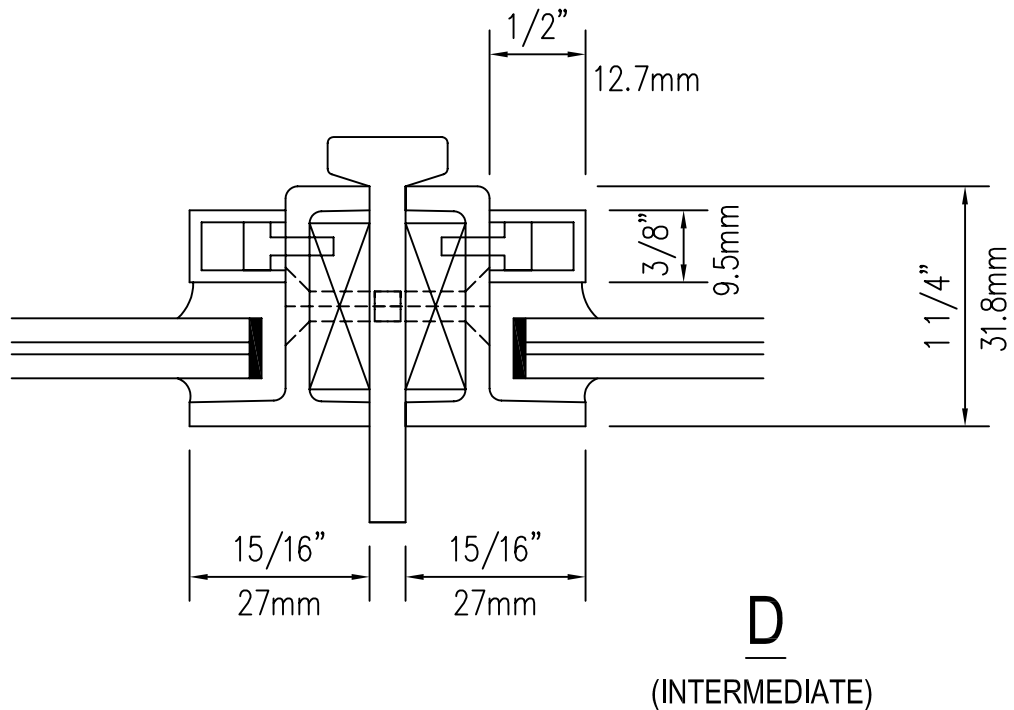
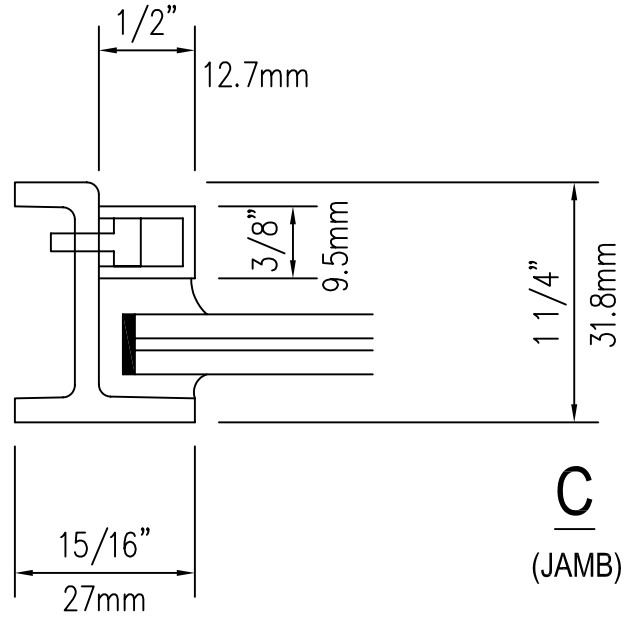


SECTION DETAIL



W20

HOT-ROLLED SYSTEM

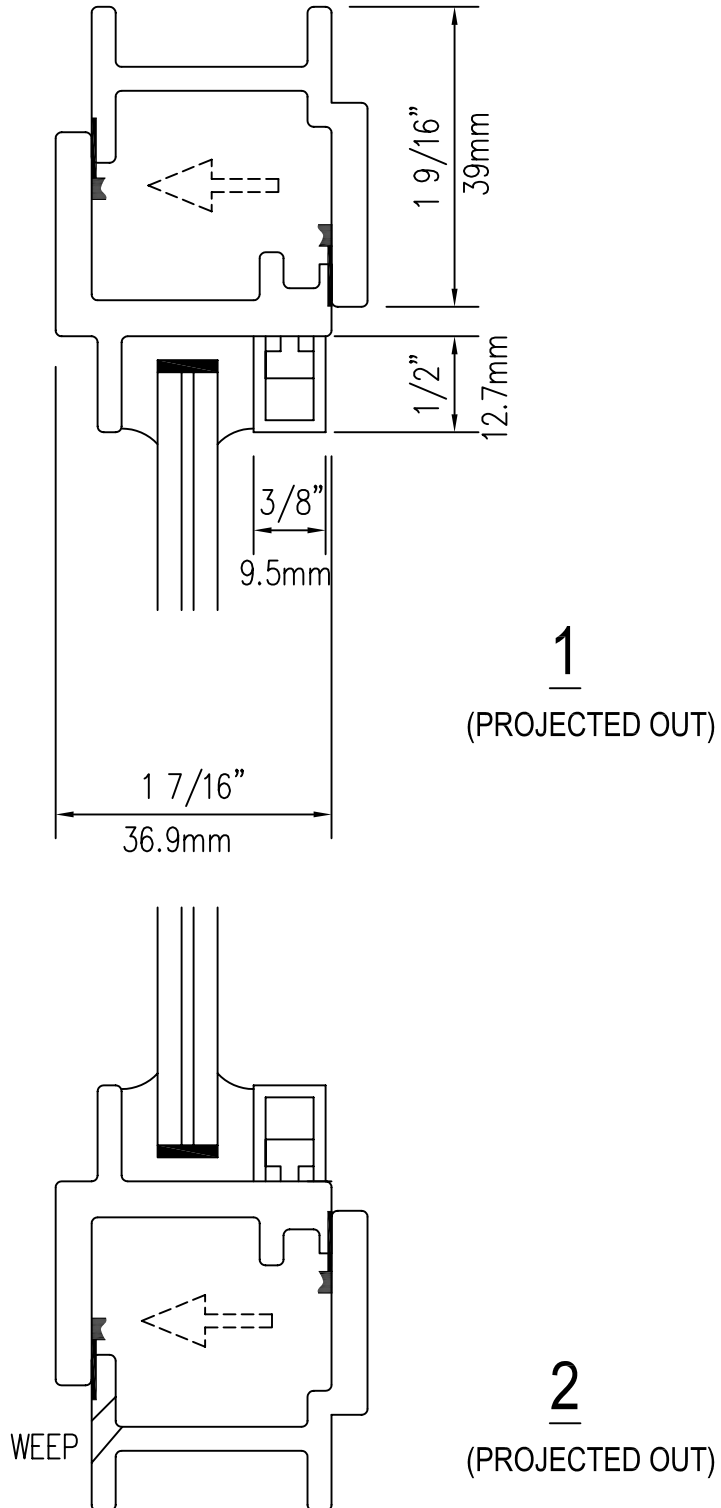


SECTION DETAIL



W20

HOT-ROLLED SYSTEM

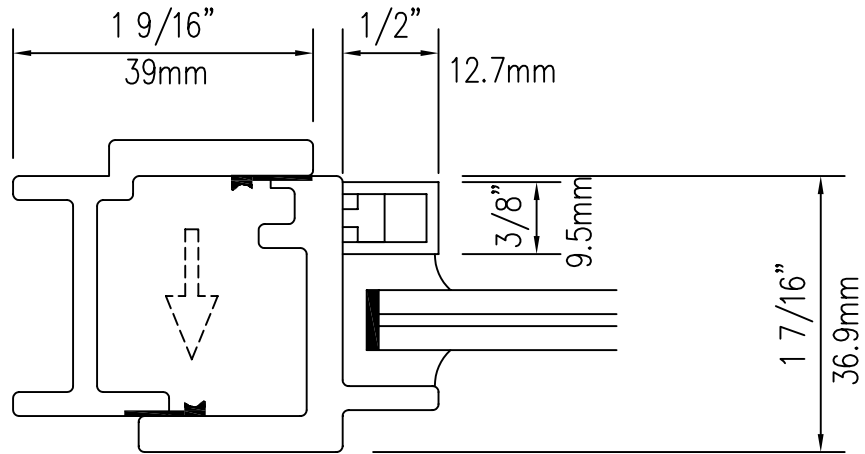


SECTION DETAIL

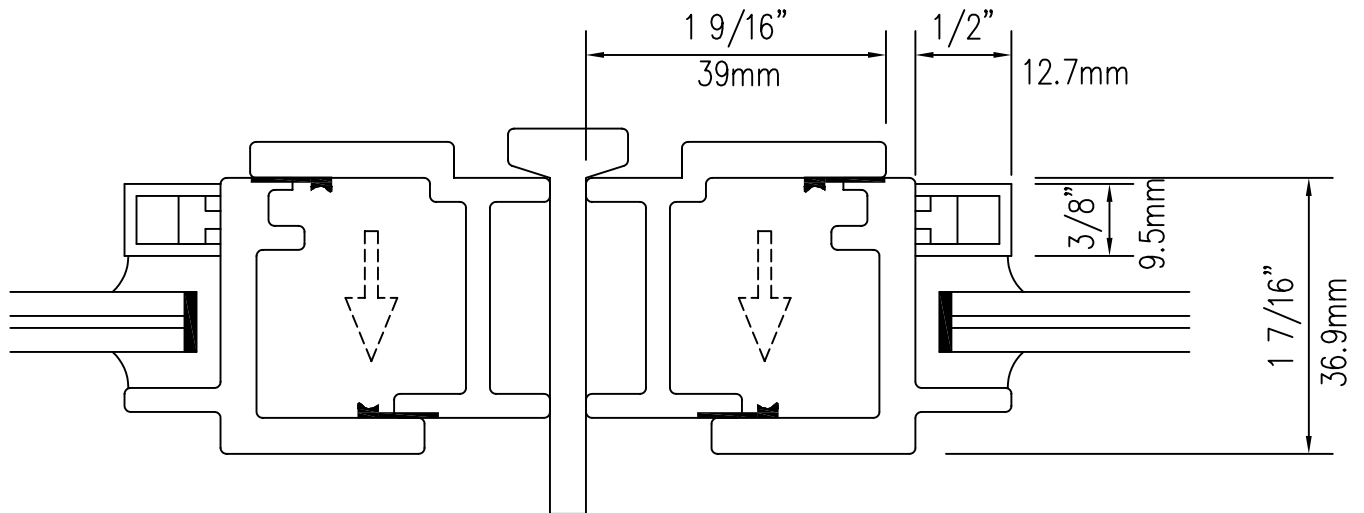


W20

HOT-ROLLED SYSTEM



3
(PROJECTED OUT)



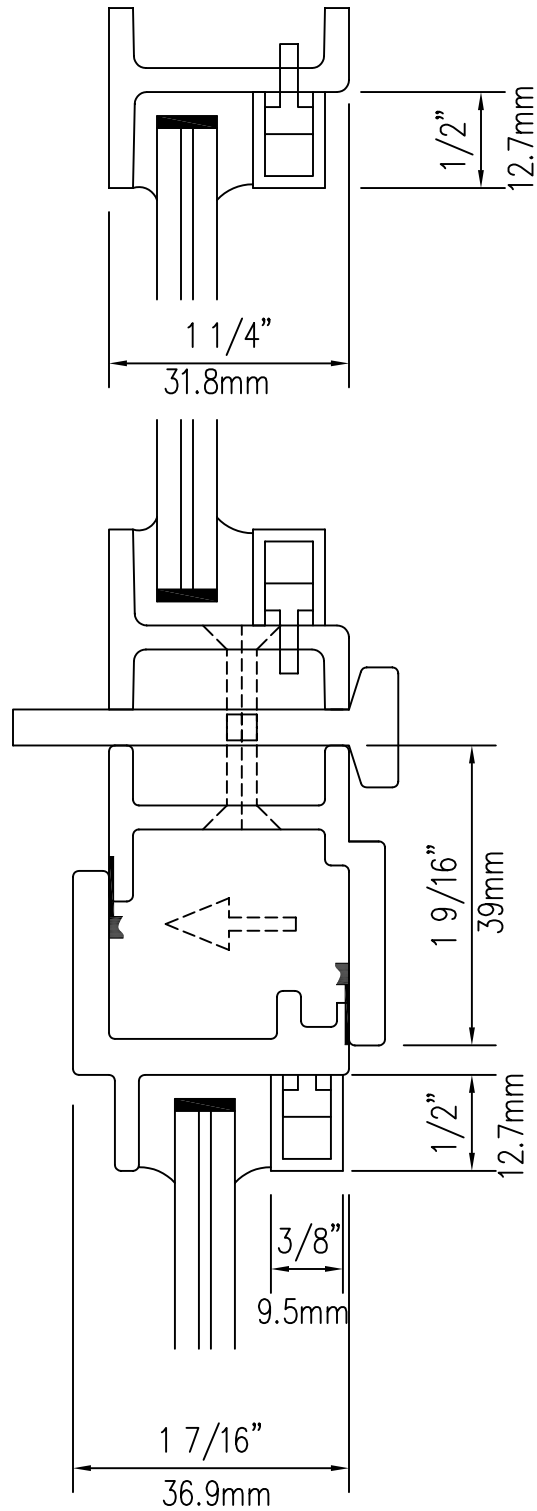
4
(PROJECTED OUT)

SECTION DETAIL



W20

HOT-ROLLED SYSTEM



5
(PROJECTED OUT)

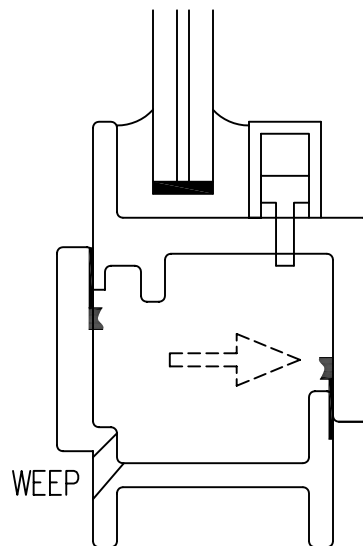
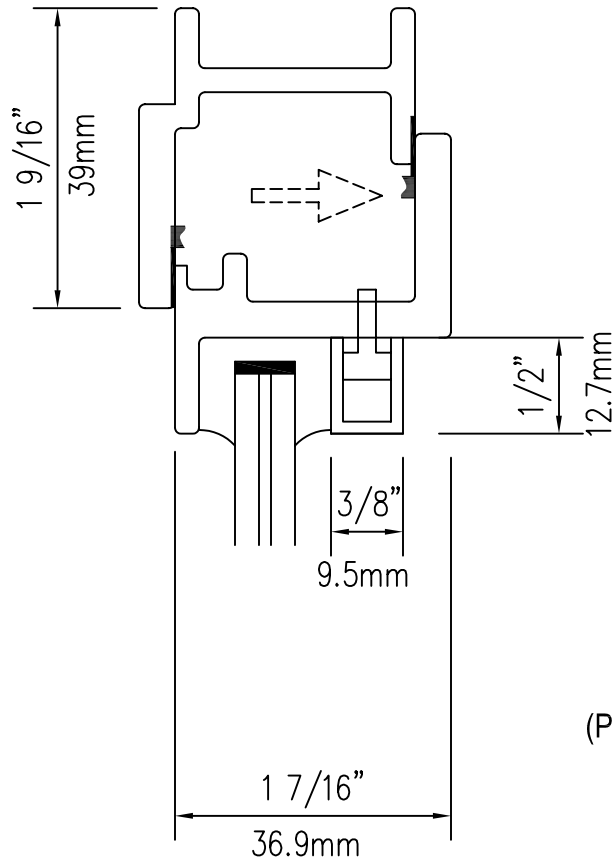
SECTION DETAIL

W2-7



W20

HOT-ROLLED SYSTEM

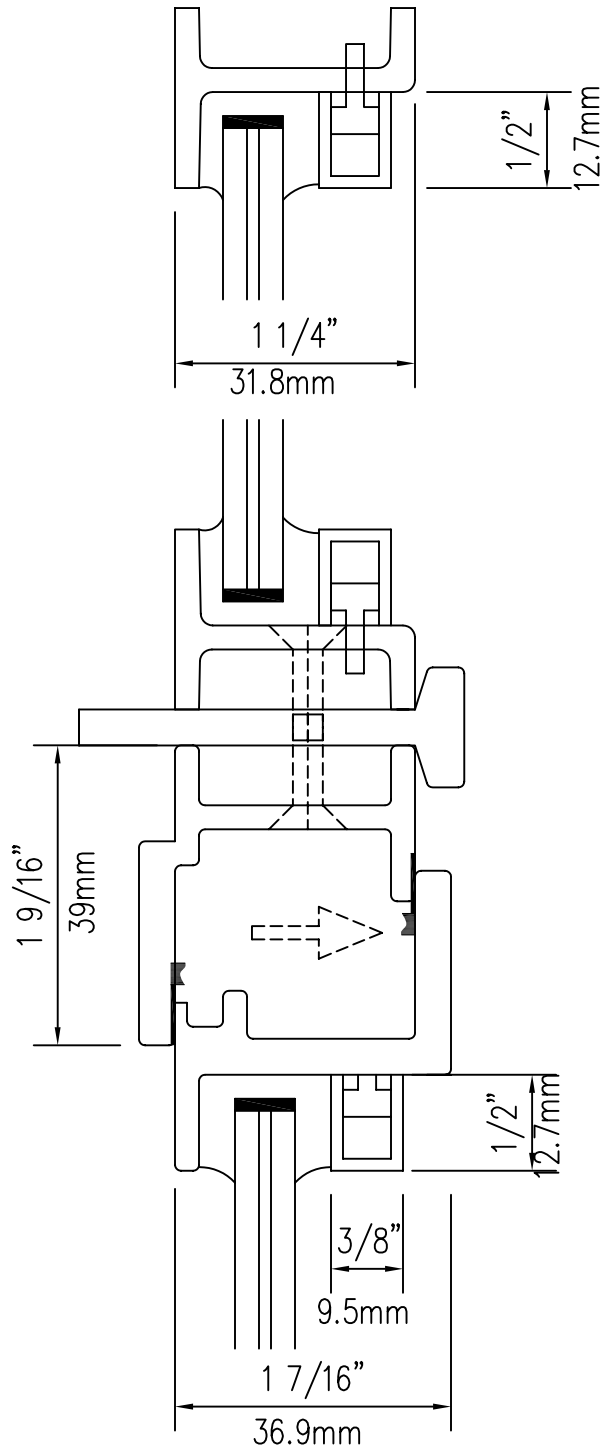


SECTION DETAIL



W20

HOT-ROLLED SYSTEM



8

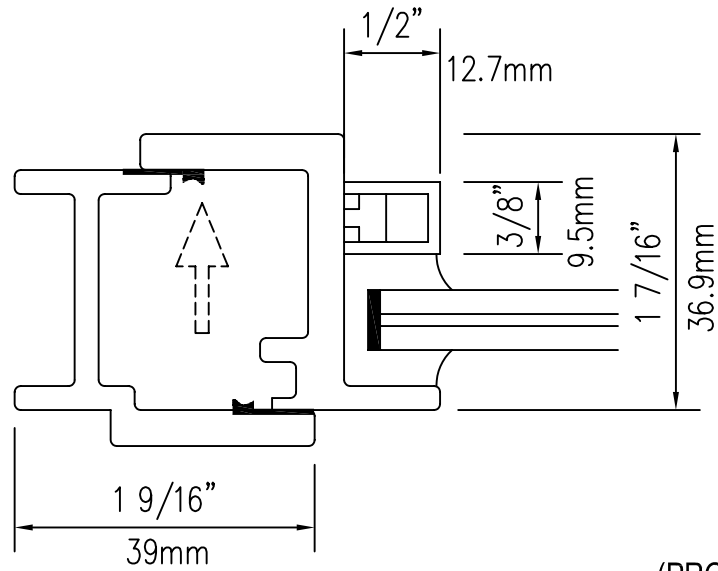
(PROJECTED IN)

SECTION DETAIL

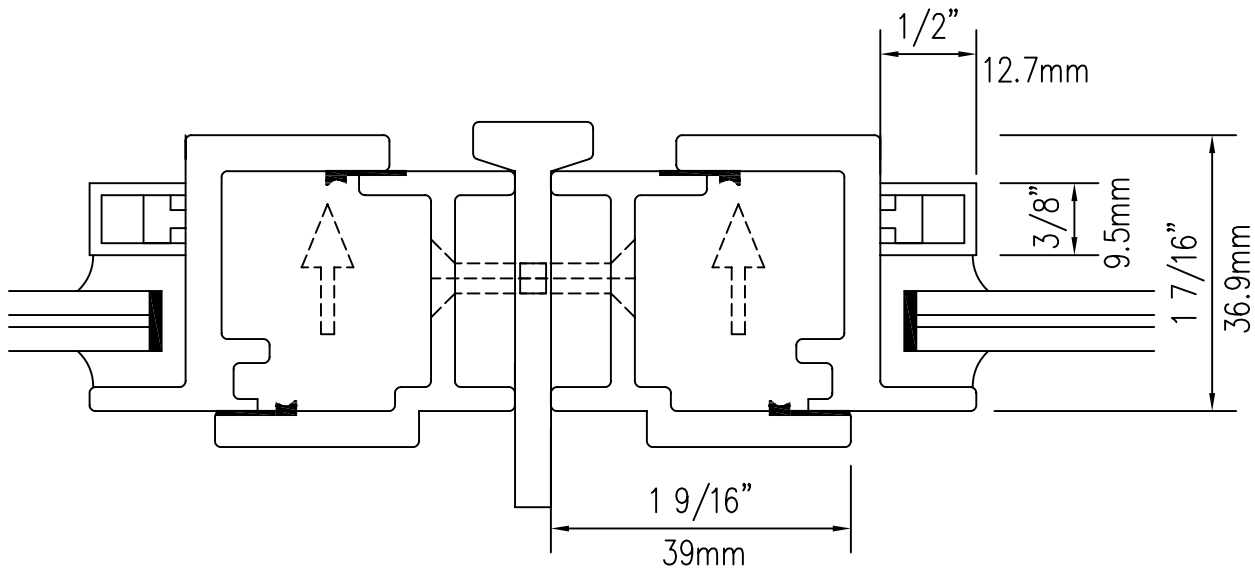


W20

HOT-ROLLED SYSTEM



9
(PROJECTED IN)



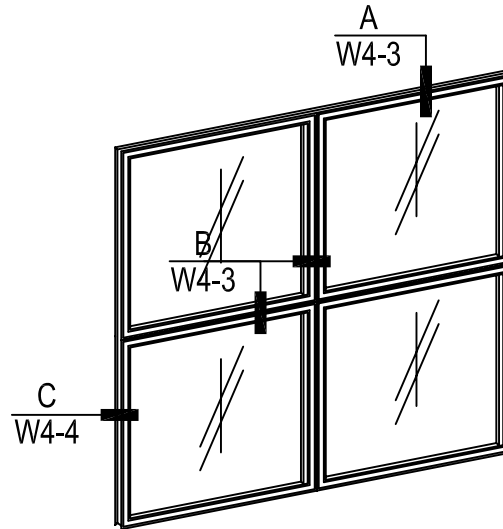
10
(PROJECTED IN)

SECTION DETAIL

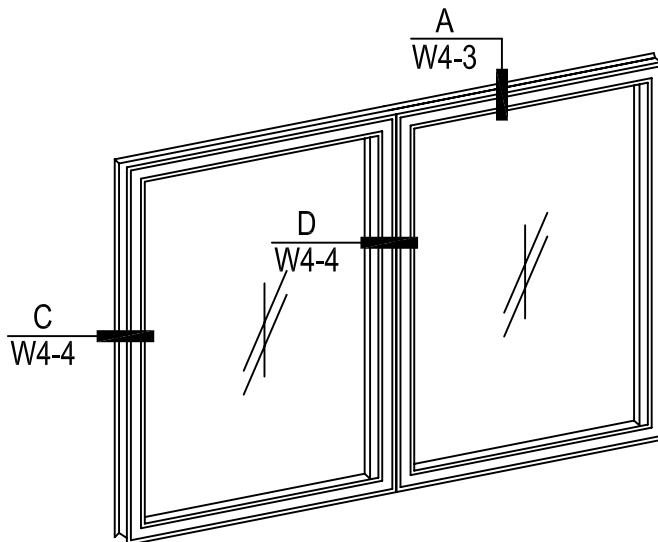


W40

HOT-ROLLED SYSTEM



FIXED WINDOWS



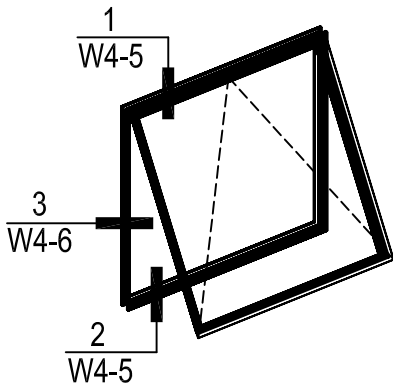
ELEVATIONS

W4-1

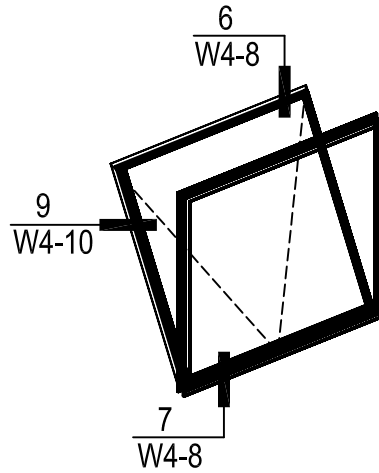


W40

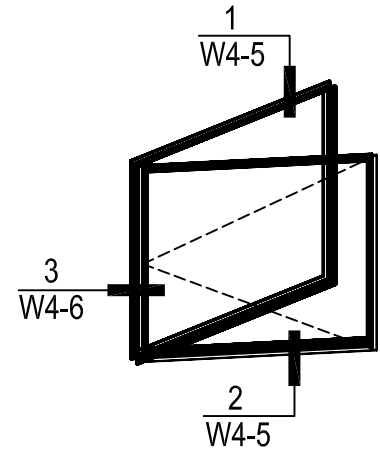
HOT-ROLLED SYSTEM



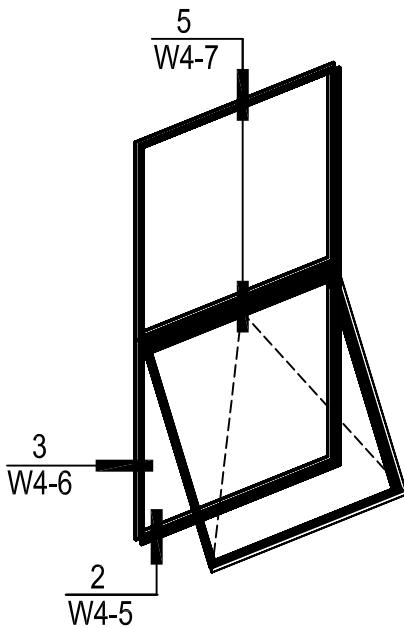
PROJECTED OUT



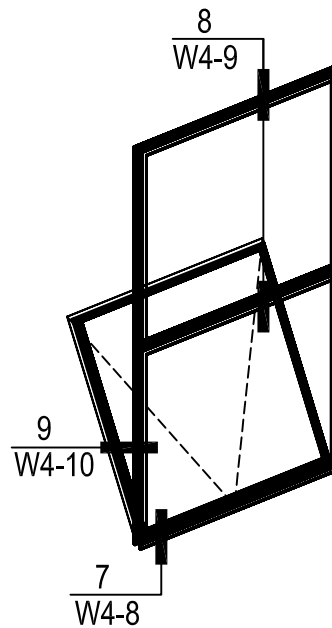
PROJECTED IN



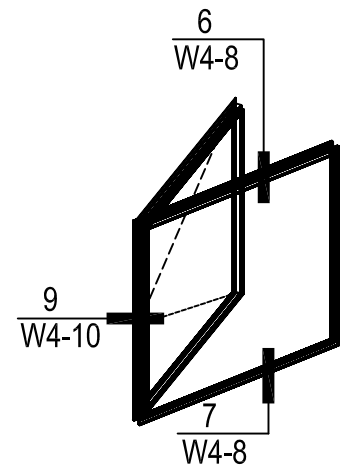
OUT SWING



PROJECTED OUT



PROJECTED IN



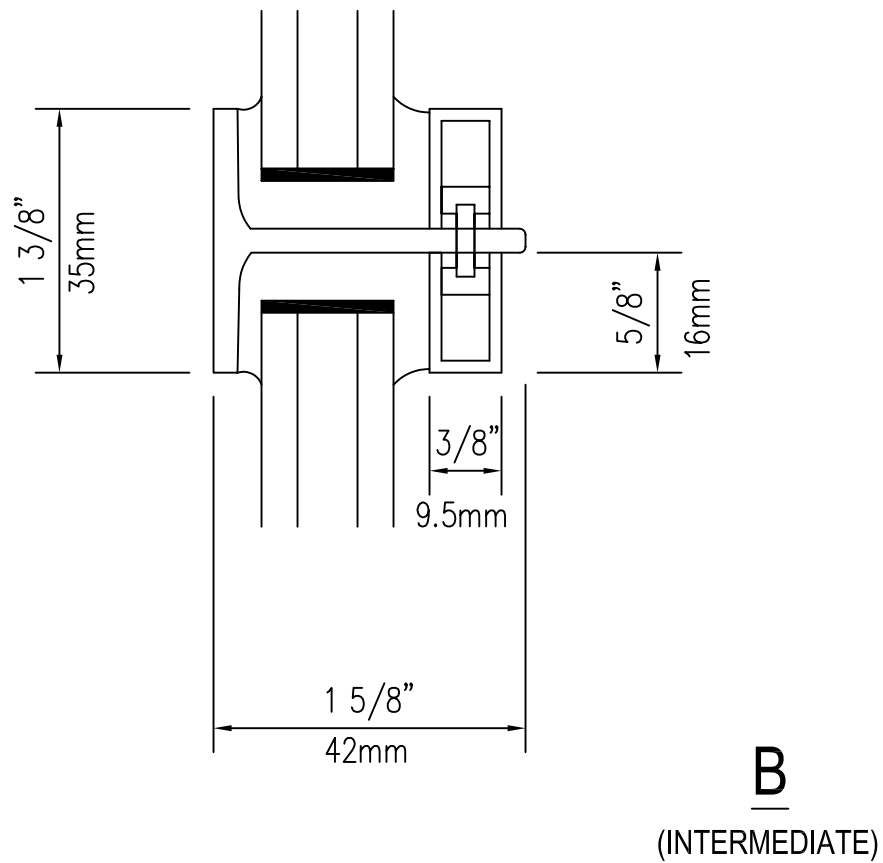
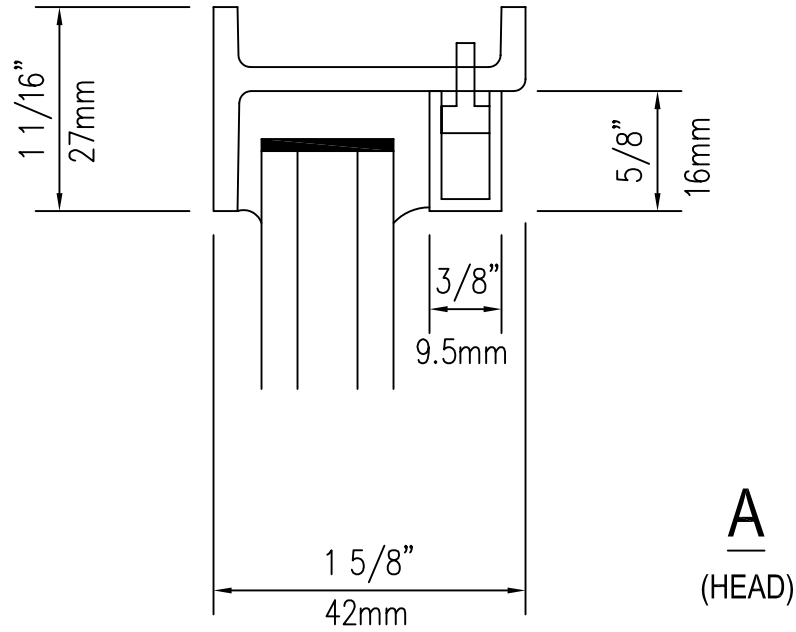
IN SWING

ELEVATIONS



W40

HOT-ROLLED SYSTEM

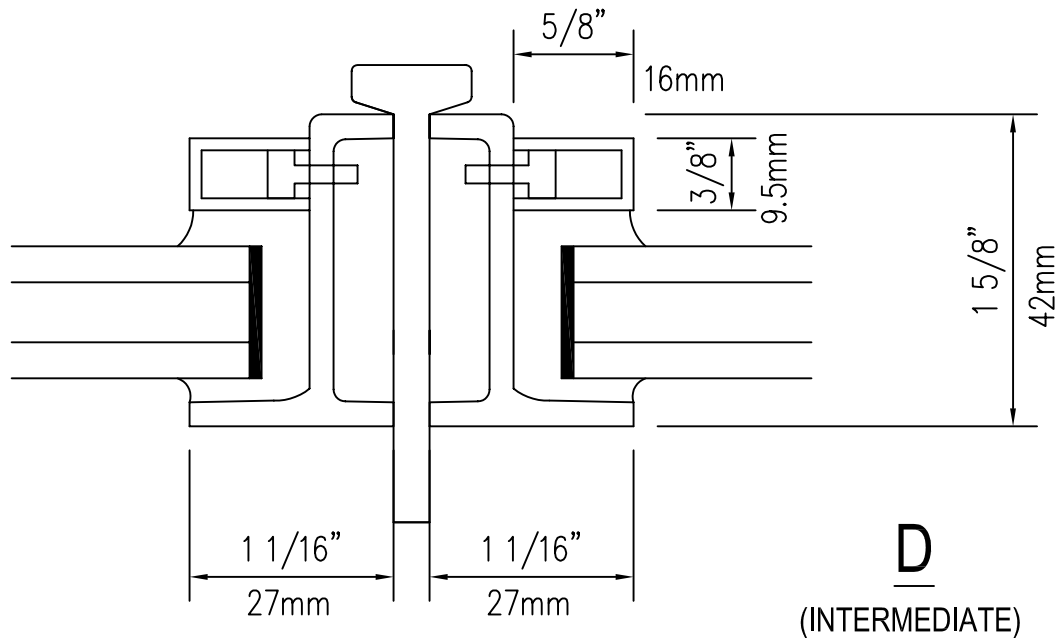
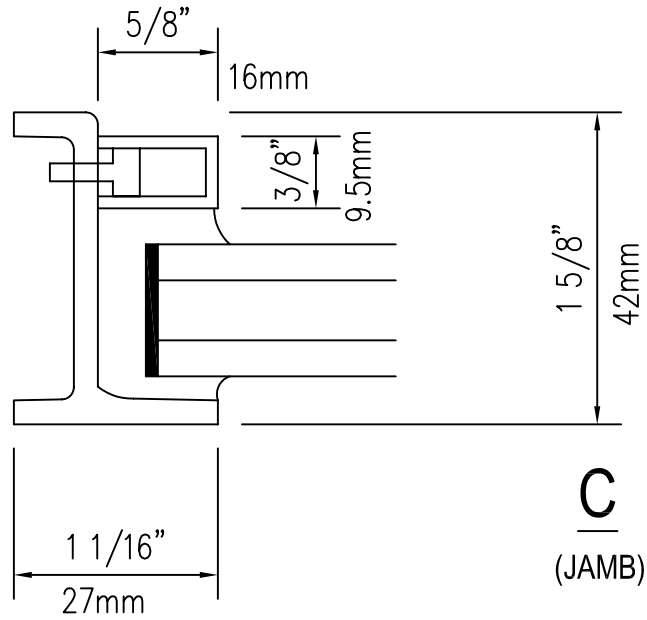


SECTION DETAIL



W40

HOT-ROLLED SYSTEM

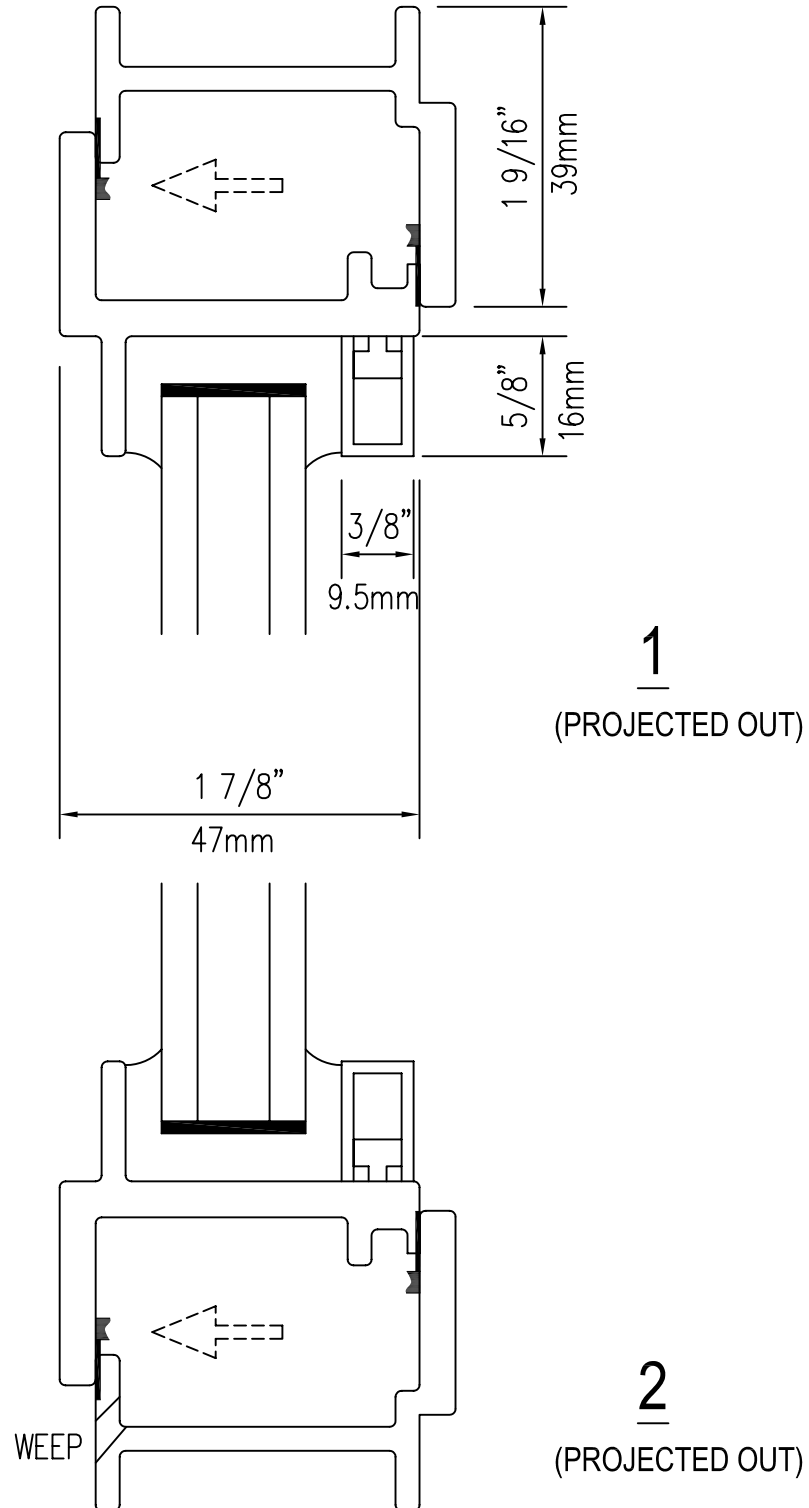


SECTION DETAIL



W40

HOT-ROLLED SYSTEM

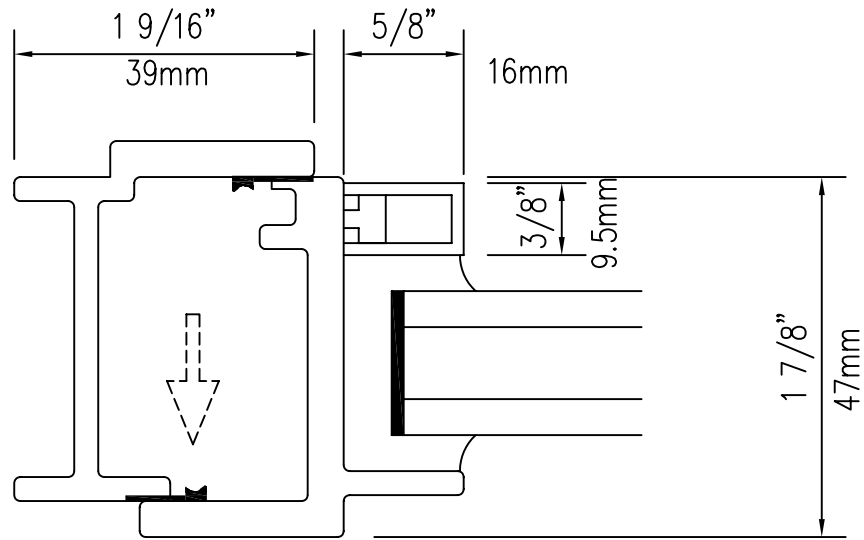


SECTION DETAIL

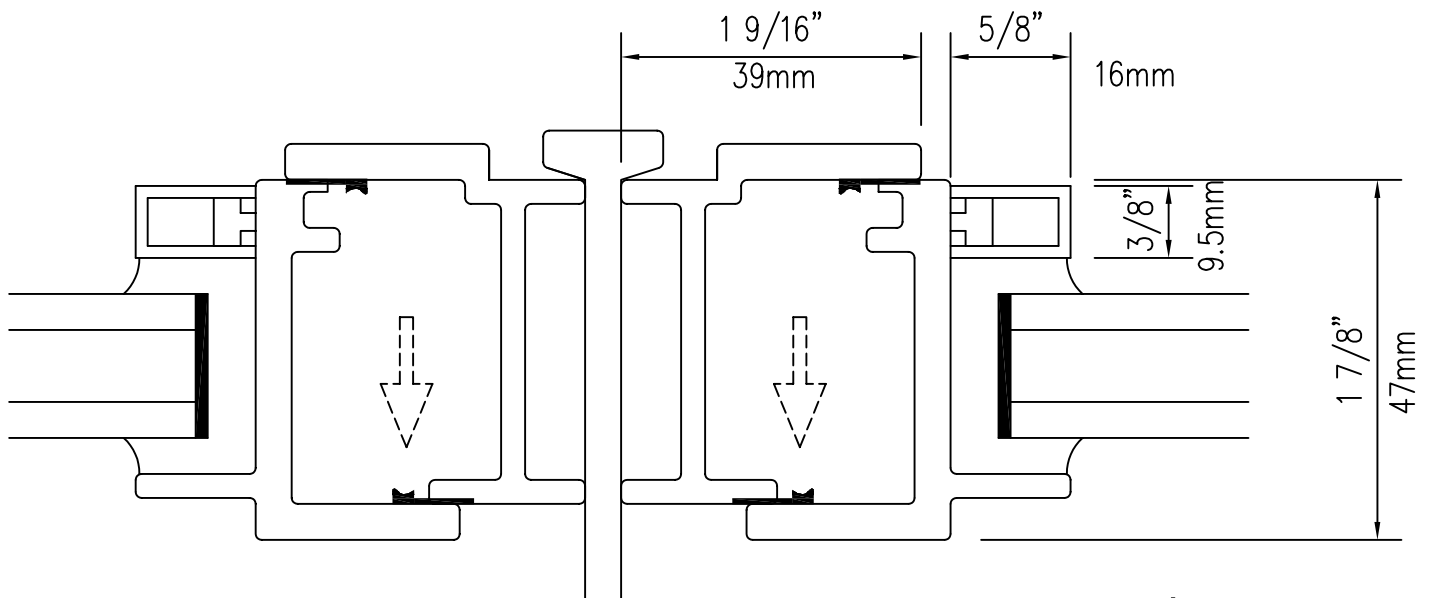


W40

HOT-ROLLED SYSTEM



3
(PROJECTED OUT)



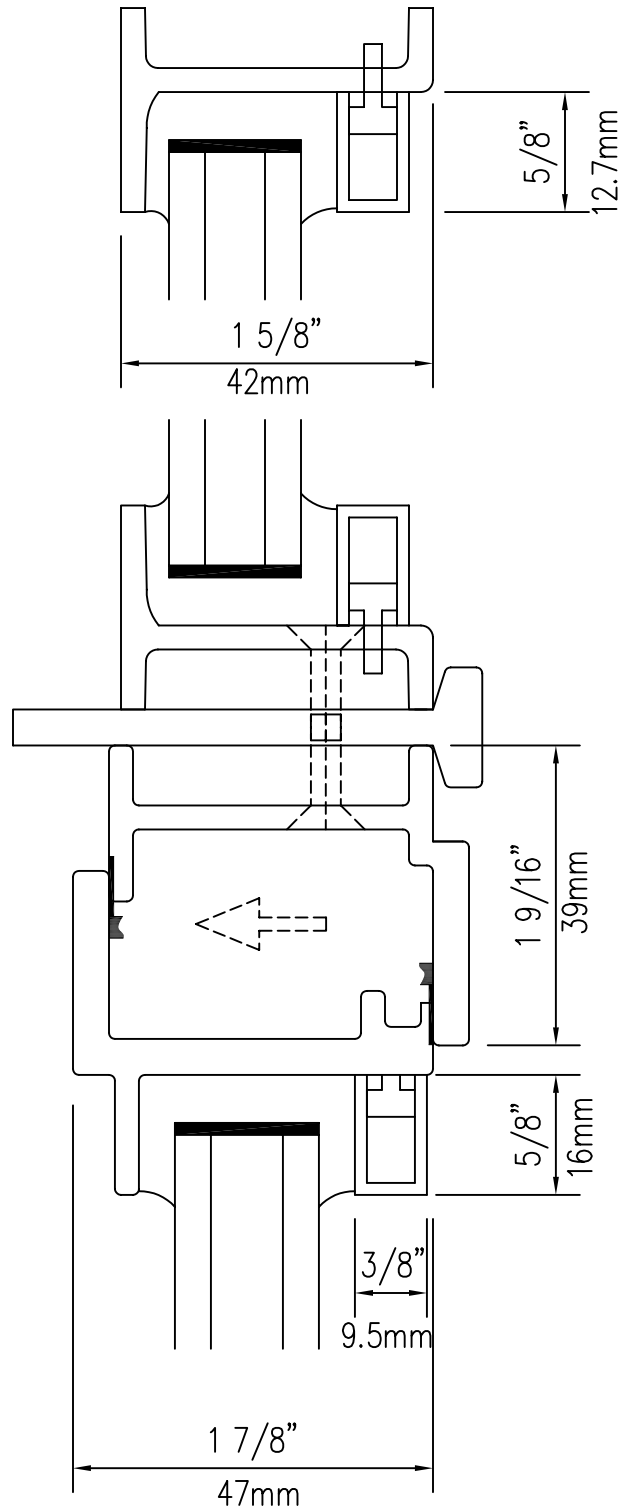
4
(PROJECTED OUT)

SECTION DETAIL



W40

HOT-ROLLED SYSTEM



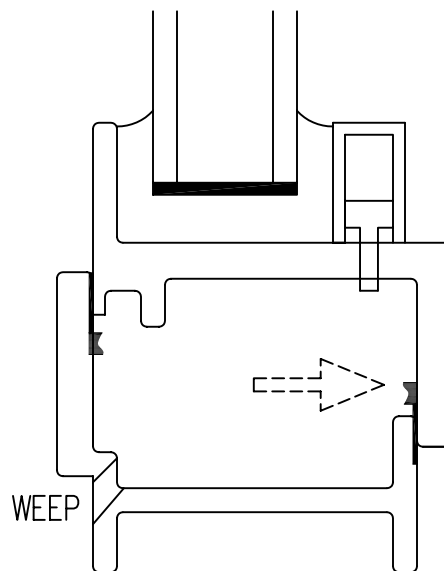
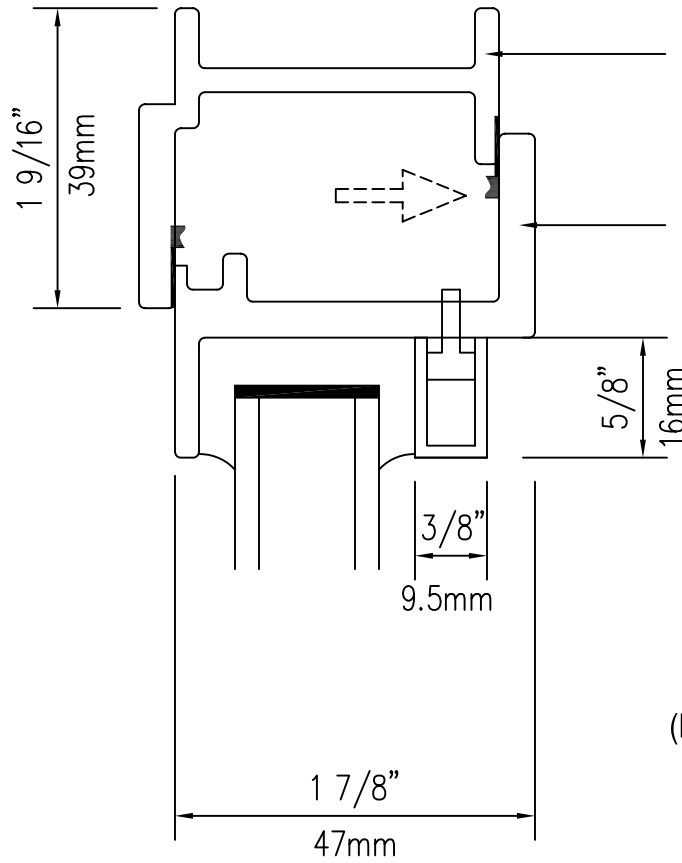
5
(PROJECTED OUT)

SECTION DETAIL



W40

HOT-ROLLED SYSTEM

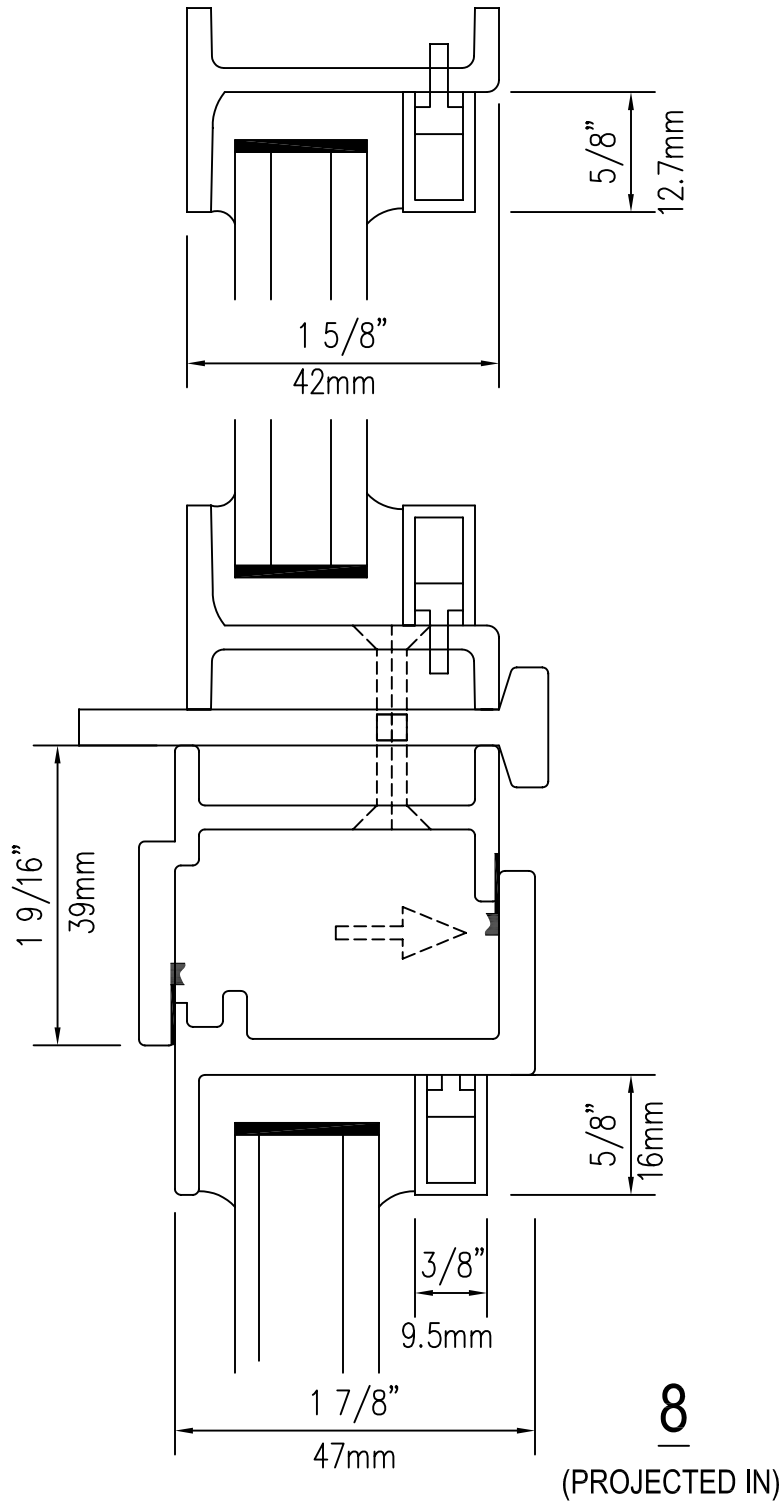


SECTION DETAIL



W40

HOT-ROLLED SYSTEM

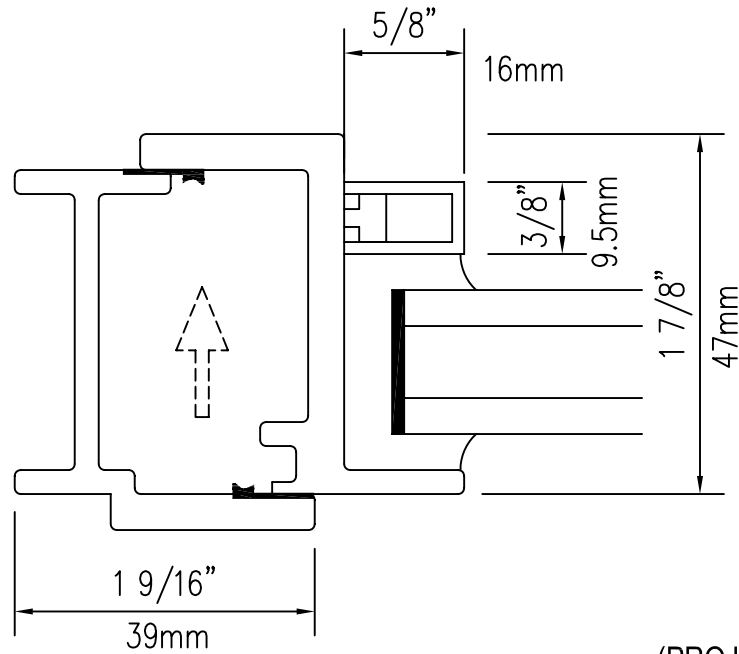


SECTION DETAIL

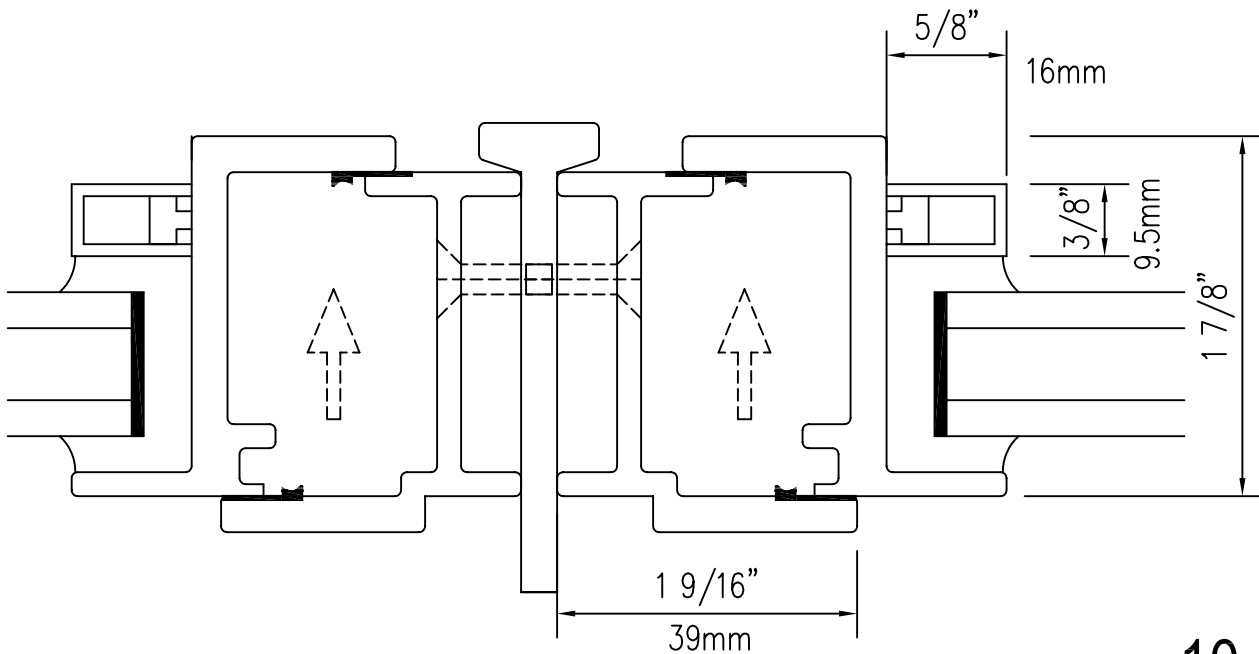


W40

HOT-ROLLED SYSTEM



9
(PROJECTED IN)



10
(PROJECTED IN)

SECTION DETAIL