



**D&D ARCHITECTURAL
PRODUCTS, INC.**

Dream • Design • Deliver

MANUFACTURERS DISTRIBUTOR

www.danddarch.com

TABLE OF CONTENTS
FORMED VENT SYSTEMS

BEVELED VENT B-1 THROUGH B-4

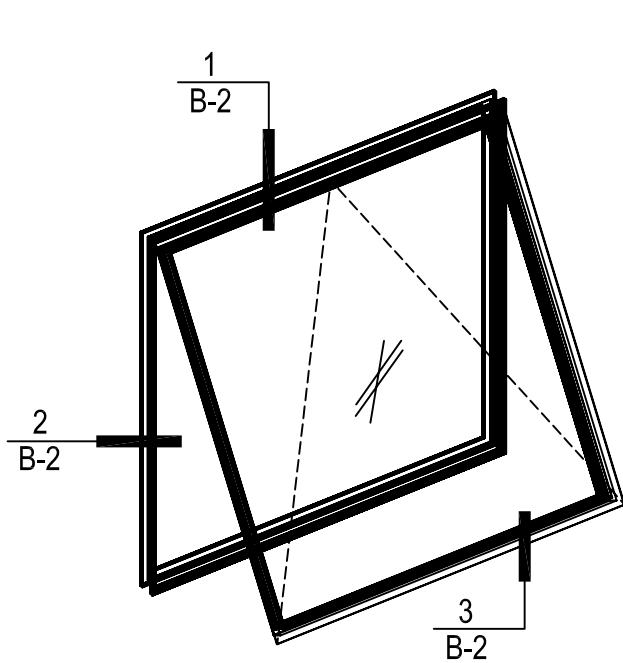
FLUSH VENT F-1 THROUGH F-4

RECESSED VENT R-1 THROUGH R-4

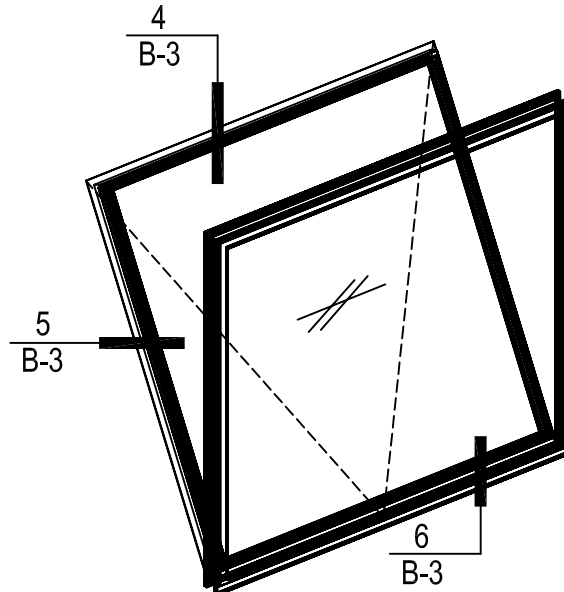
STRUCTURAL VENT S-1 THROUGH S-2



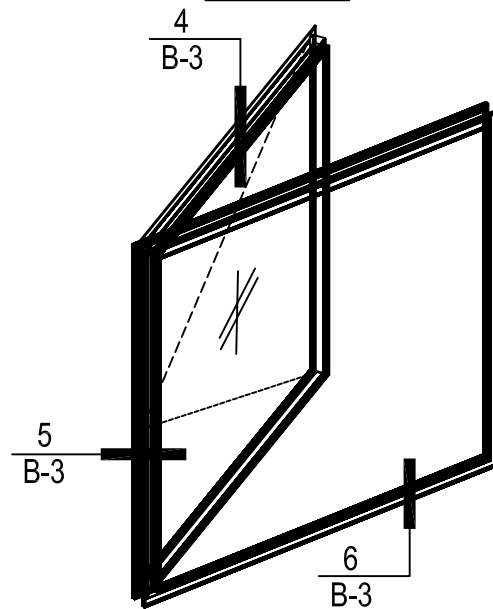
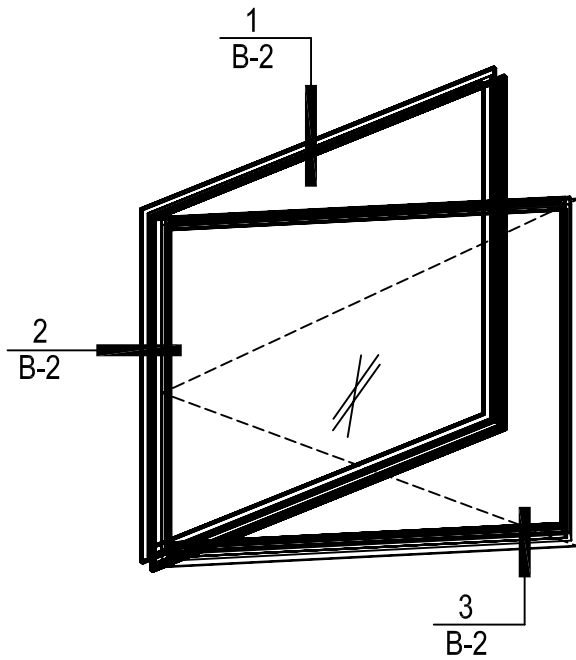
BEVELED VENT SYSTEM



SWING OUT



SWING IN

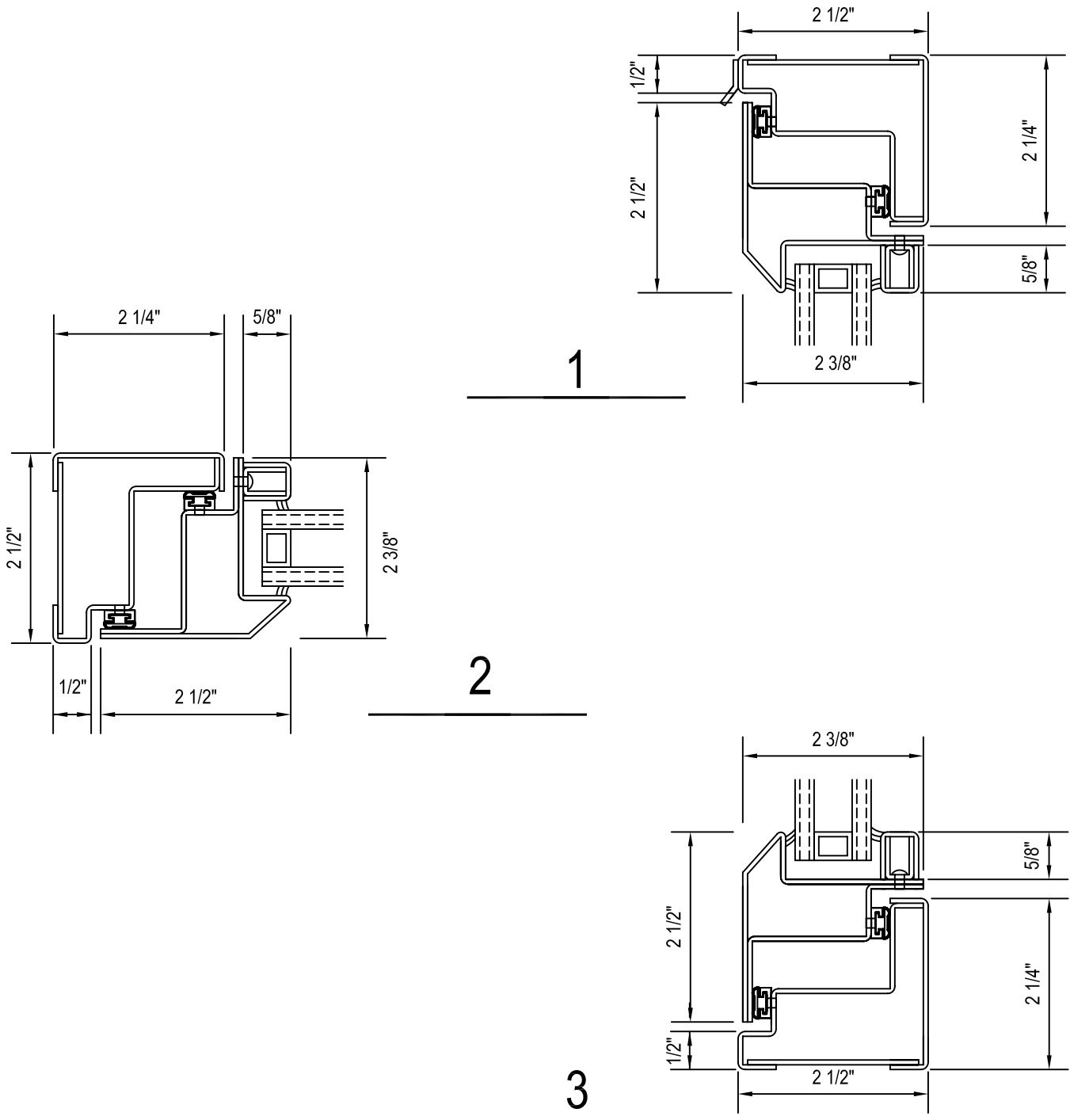


ELEVATIONS



SWING OUT

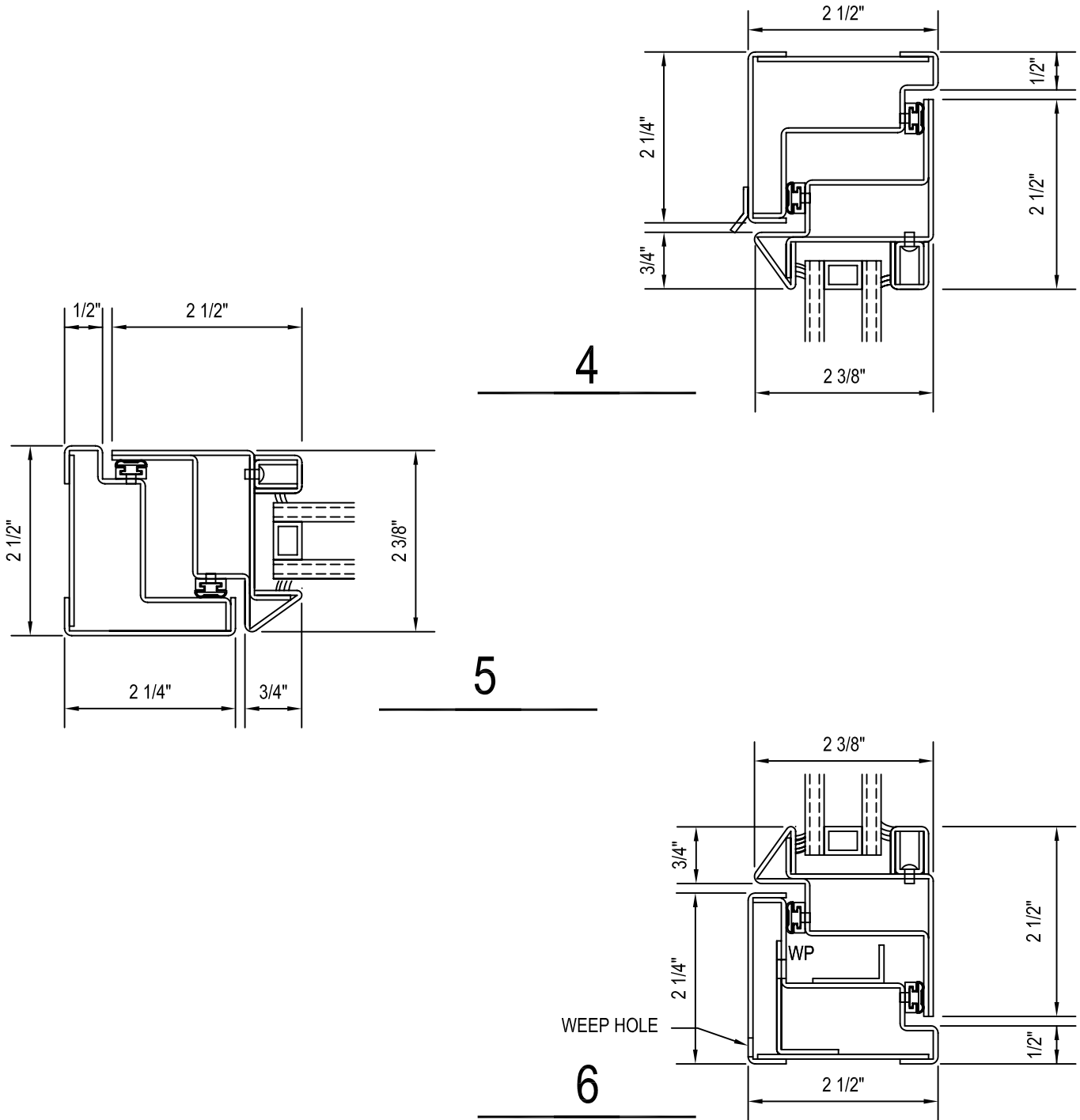
BEVELED VENT SYSTEM





SWING IN

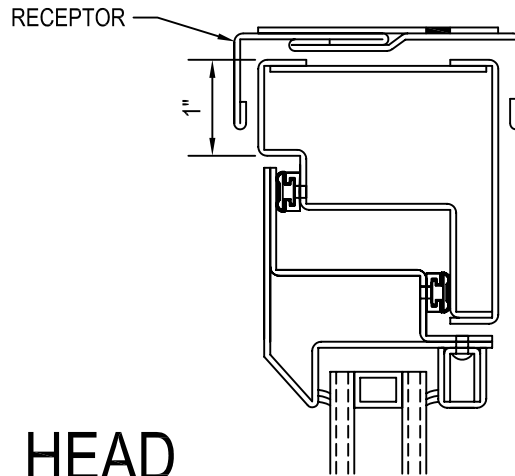
BEVELED VENT SYSTEM



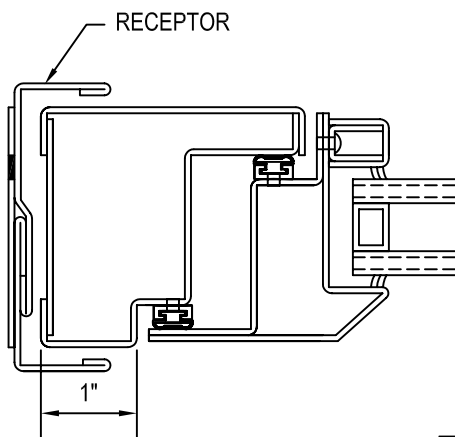


RECEPTOR & SILL STARTER OPTION

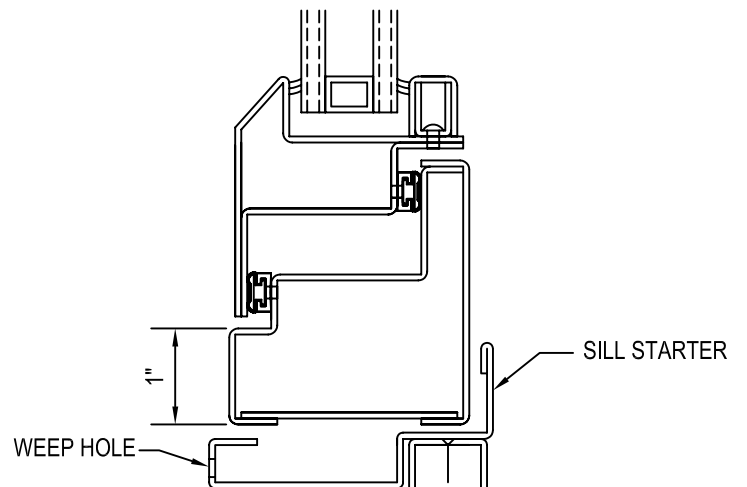
BEVELED VENT SYSTEM



HEAD



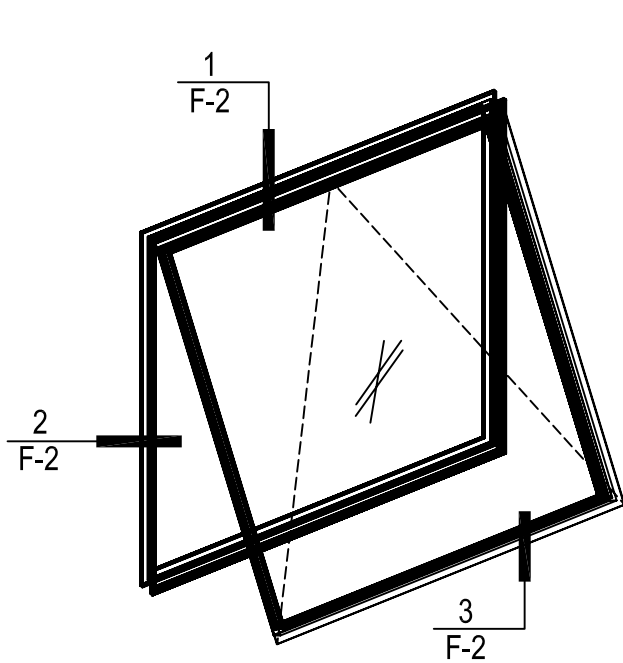
JAMB



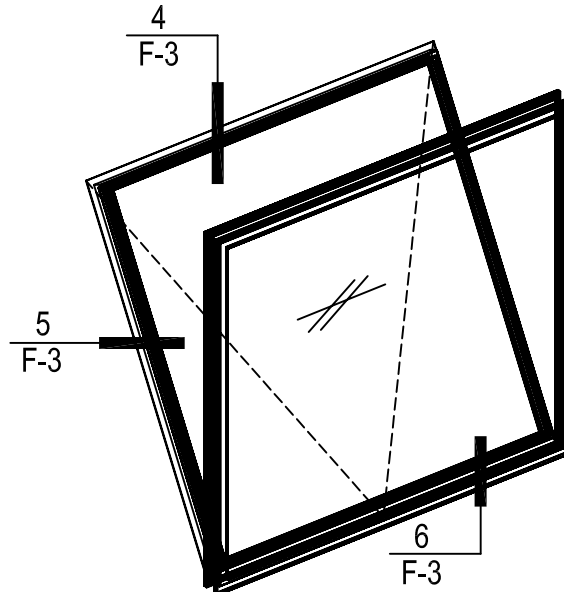
SILL



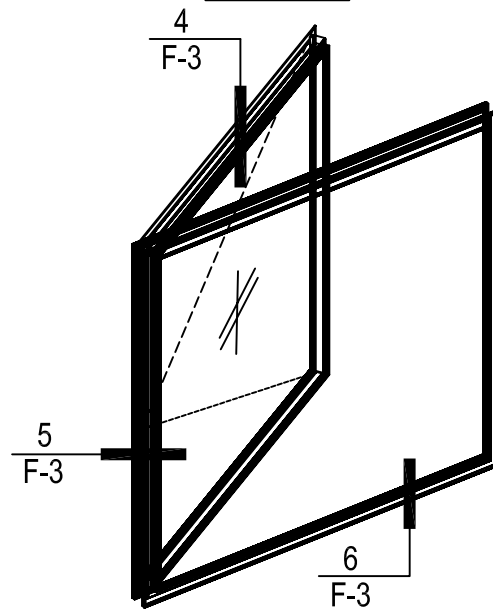
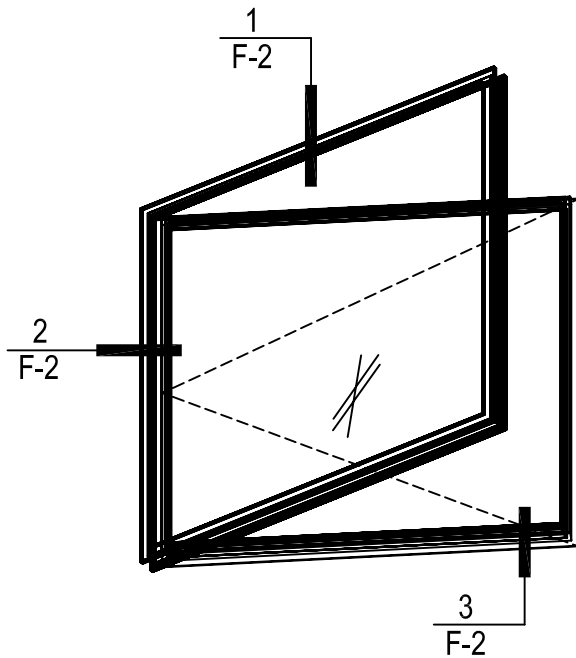
FLUSH VENT SYSTEM



SWING OUT



SWING IN

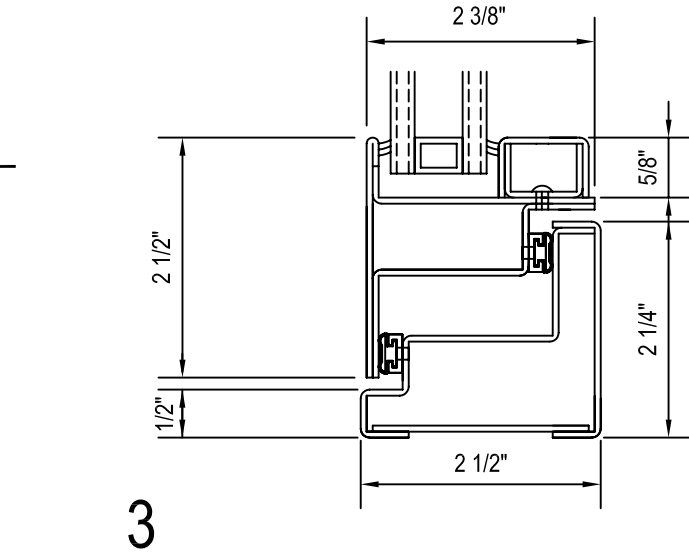
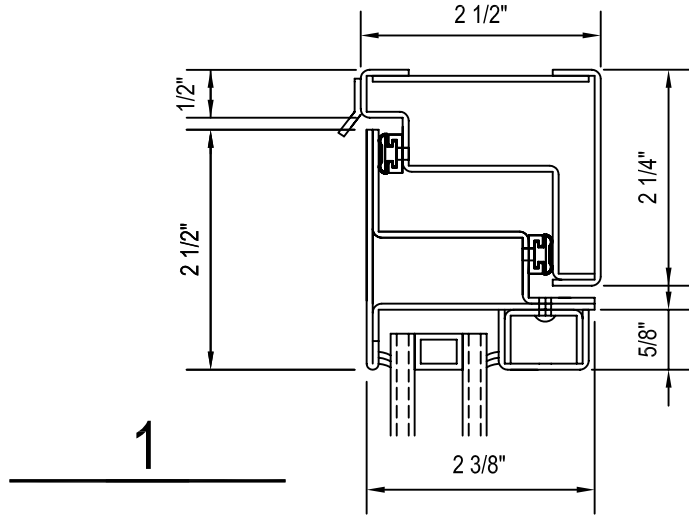
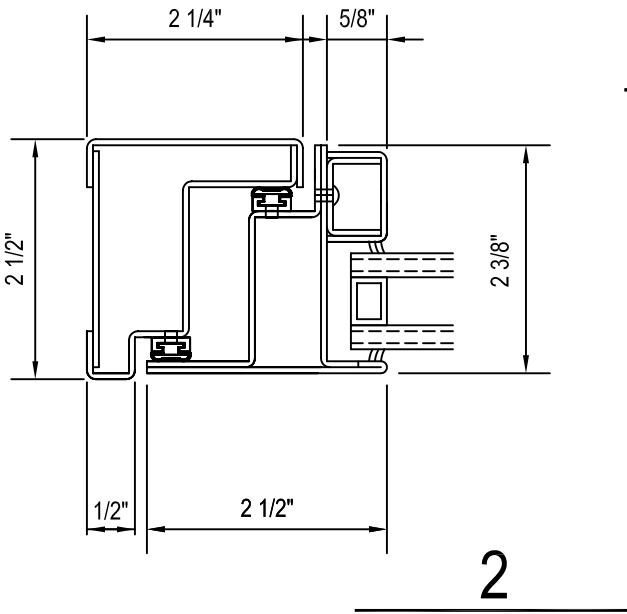


ELEVATIONS



SWING OUT

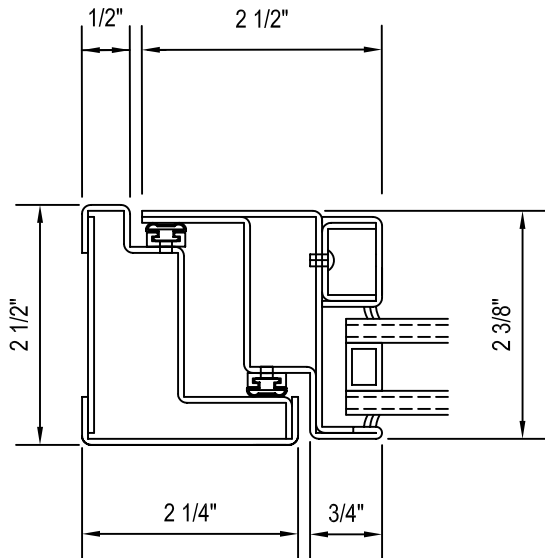
FLUSH VENT SYSTEM



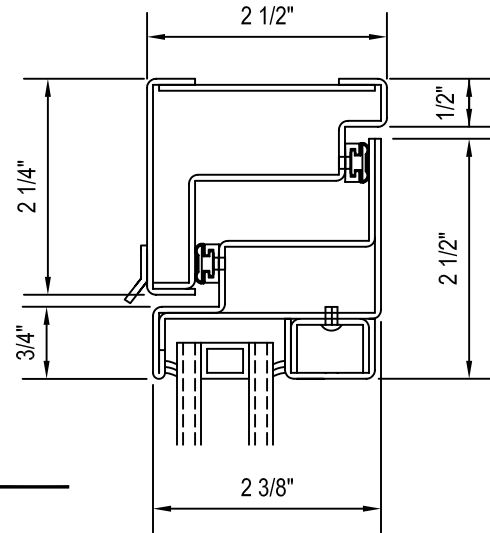


SWING IN

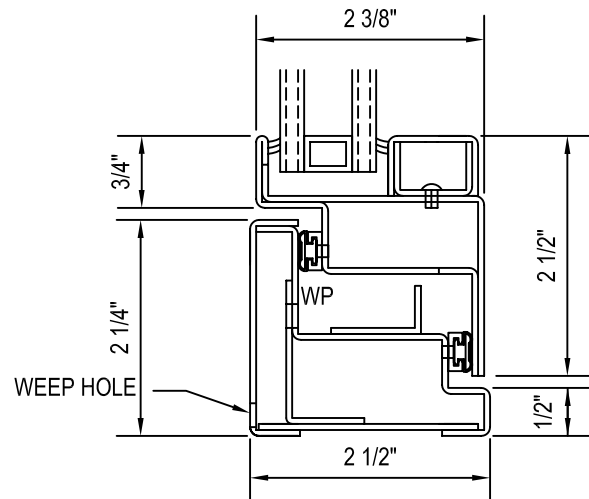
FLUSH VENT SYSTEM



5



4

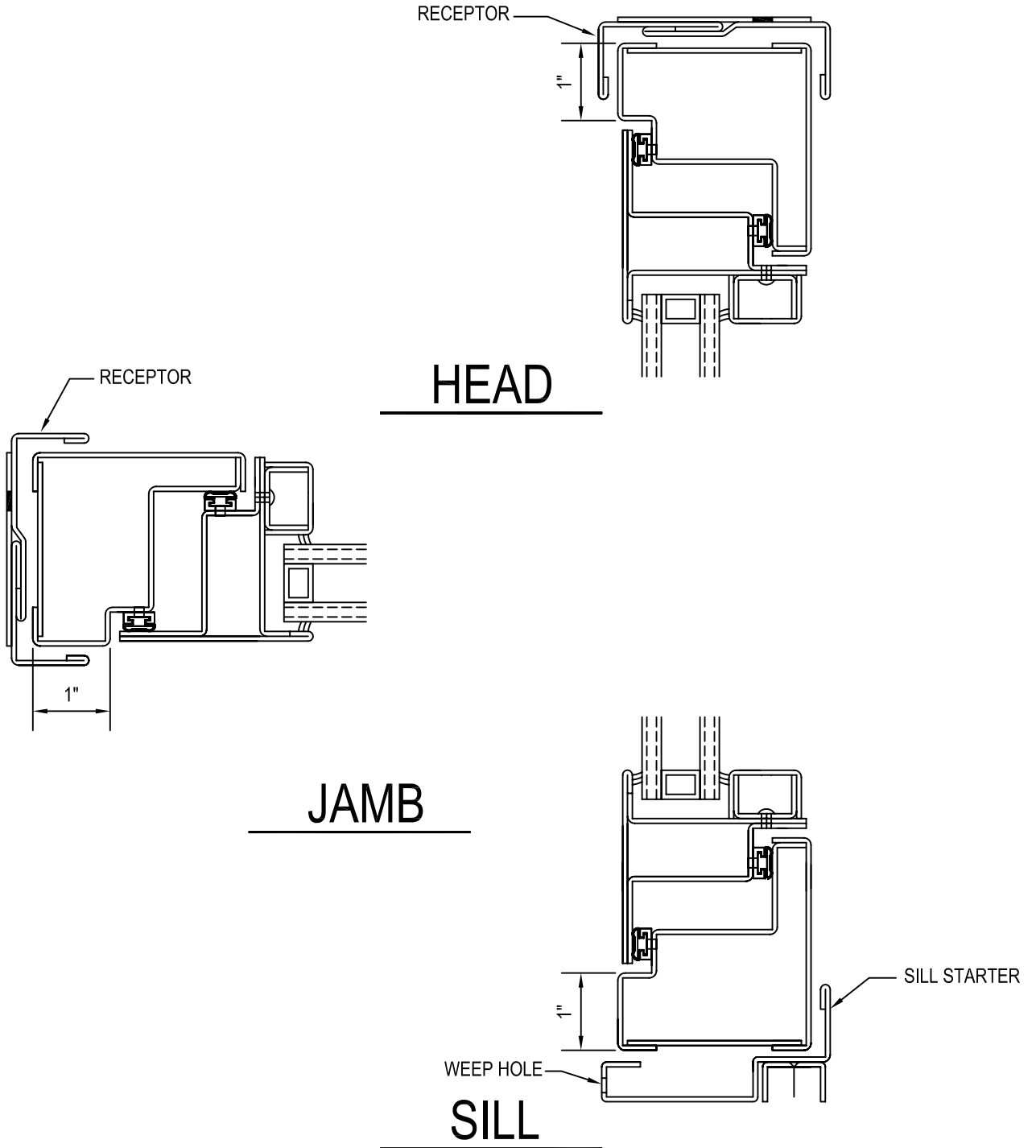


6



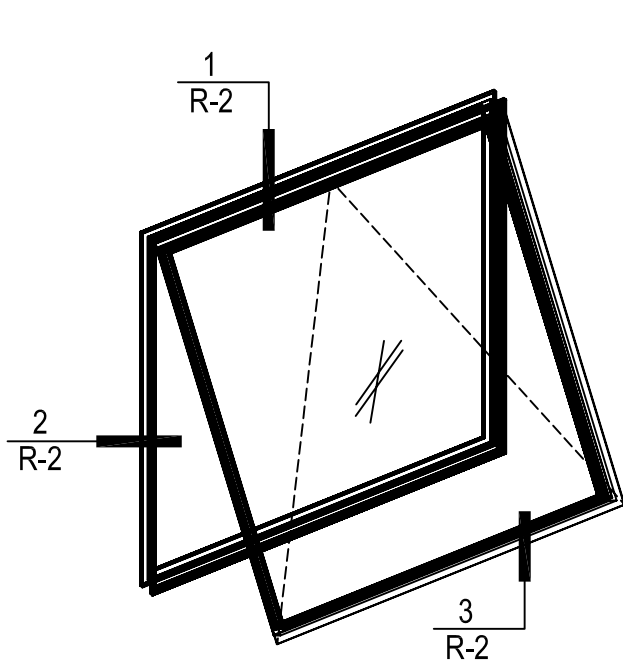
RECEPTOR & SILL STARTER OPTION

FLUSH VENT SYSTEM

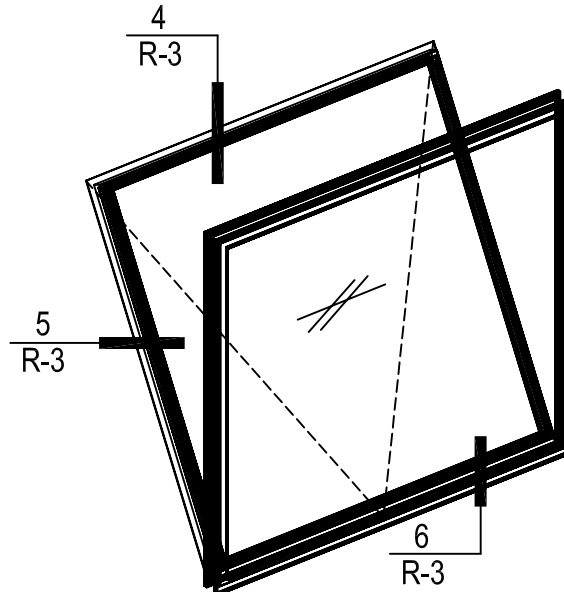




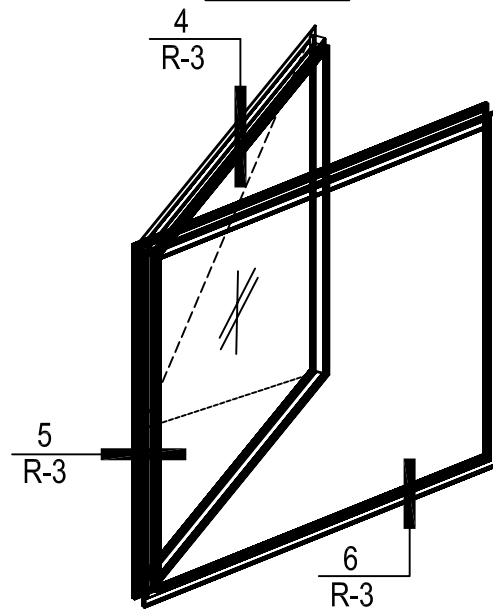
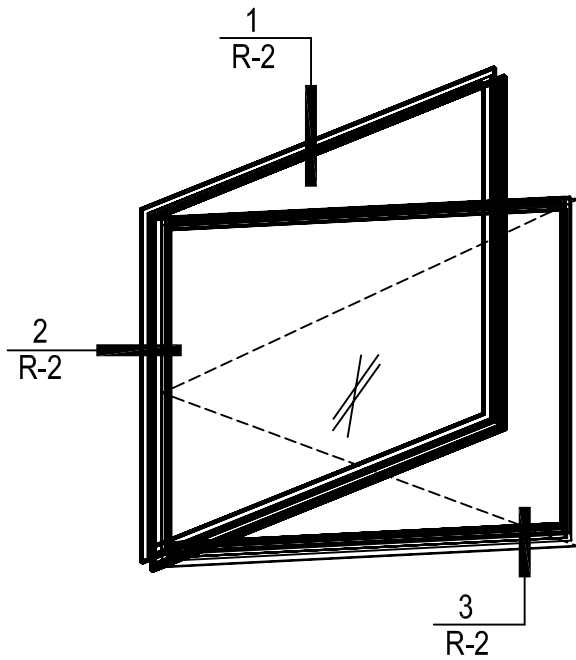
RECESSED VENT SYSTEM



SWING OUT



SWING IN

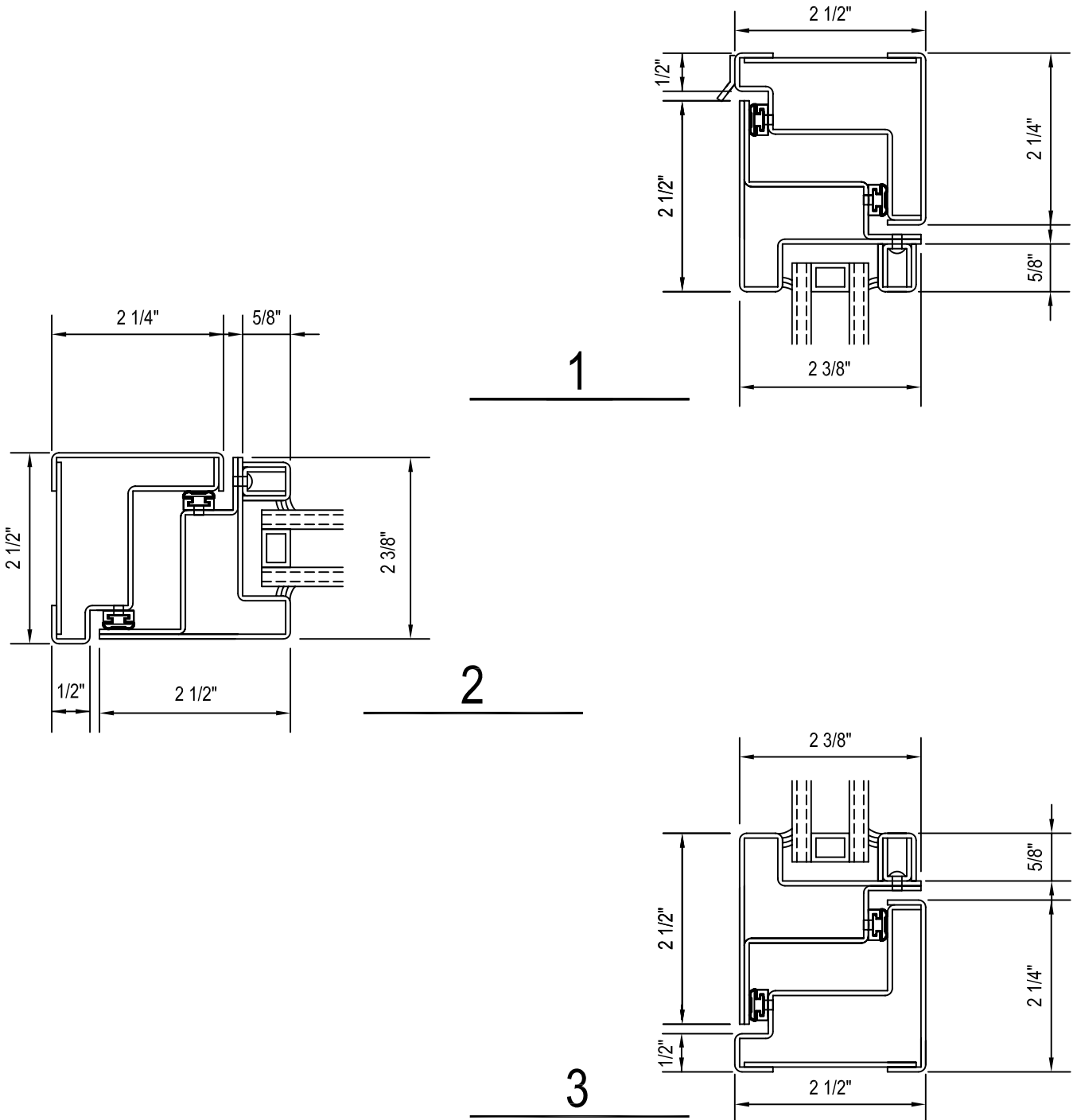


ELEVATIONS



SWING OUT

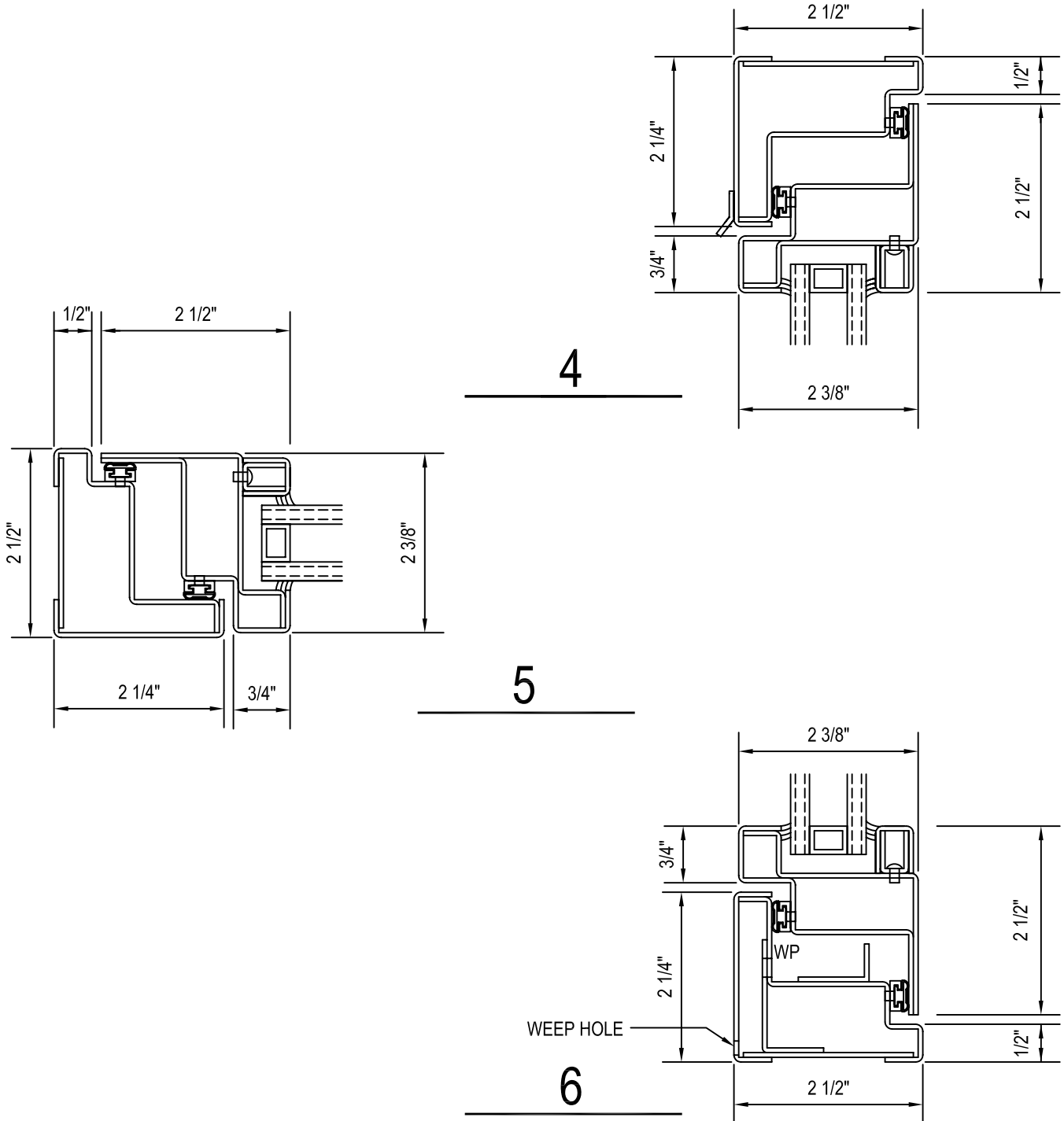
RECESSED VENT SYSTEM





SWING IN

RECESSED VENT SYSTEM



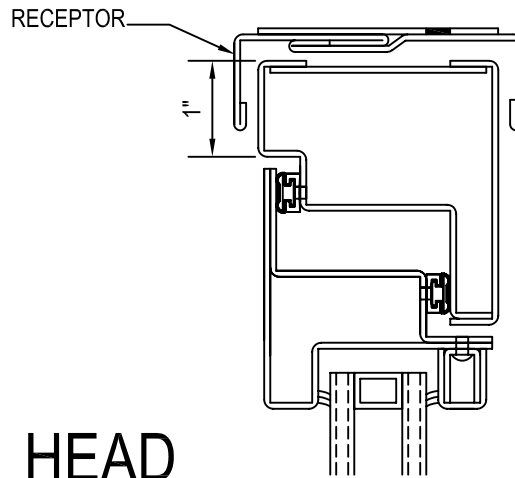
SECTION DETAILS

(HALF SCALE)

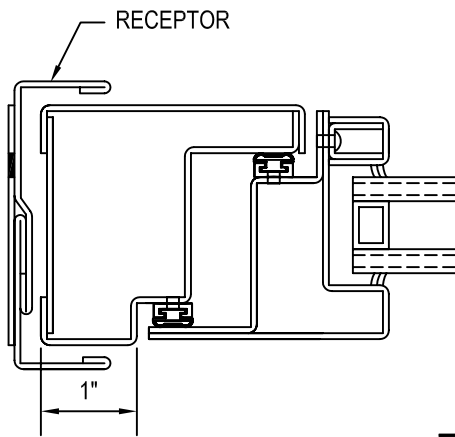


RECEPTOR & SILL STARTER OPTION

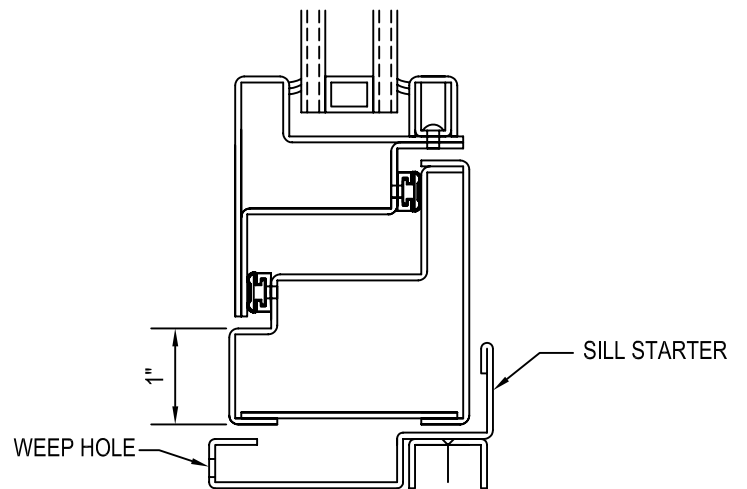
RECESSED VENT SYSTEM



HEAD



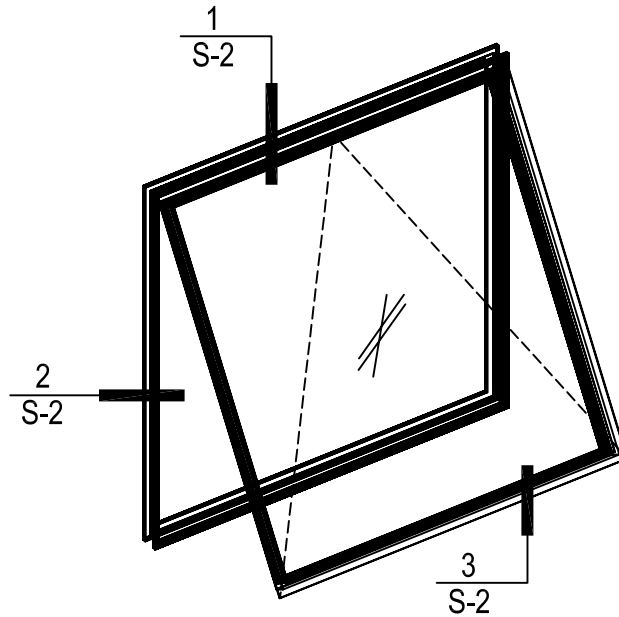
JAMB



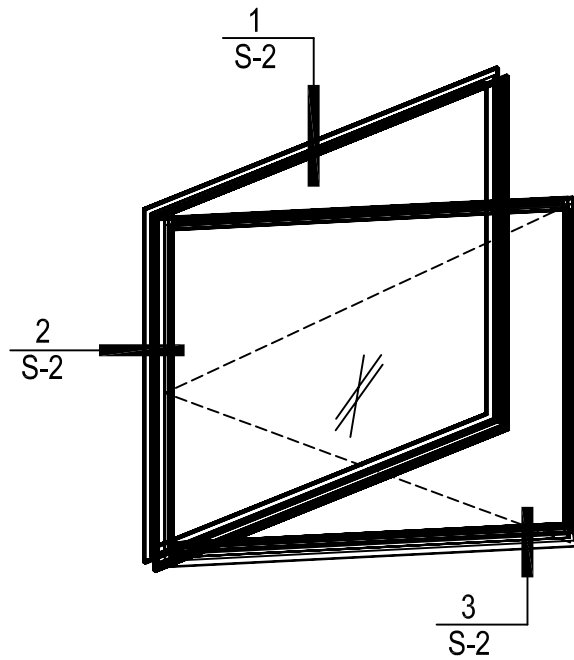
SILL



STRUCTURAL VENT SYSTEM



SWING OUT



ELEVATIONS



SWING OUT

STRUCTURAL VENT SYSTEM

