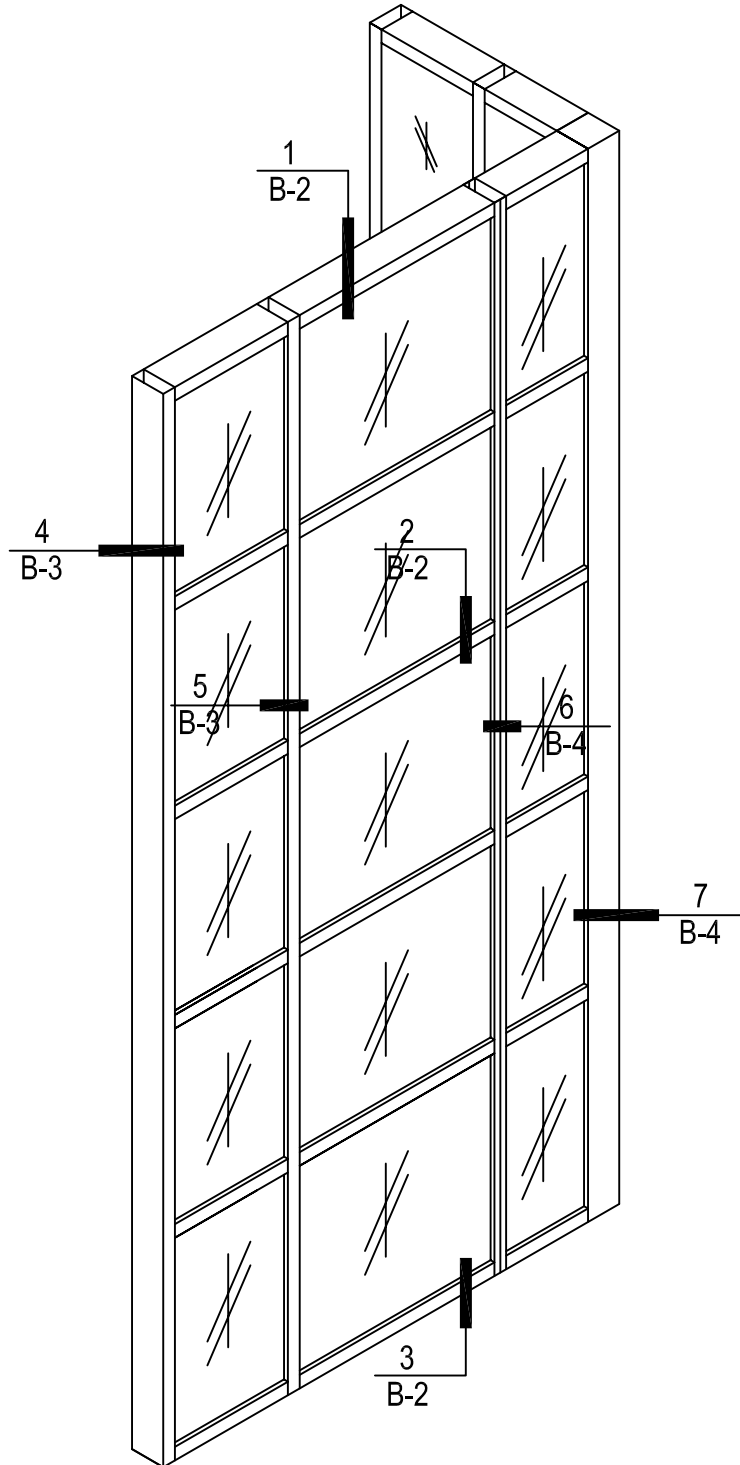




BEAD GLAZE SYSTEM

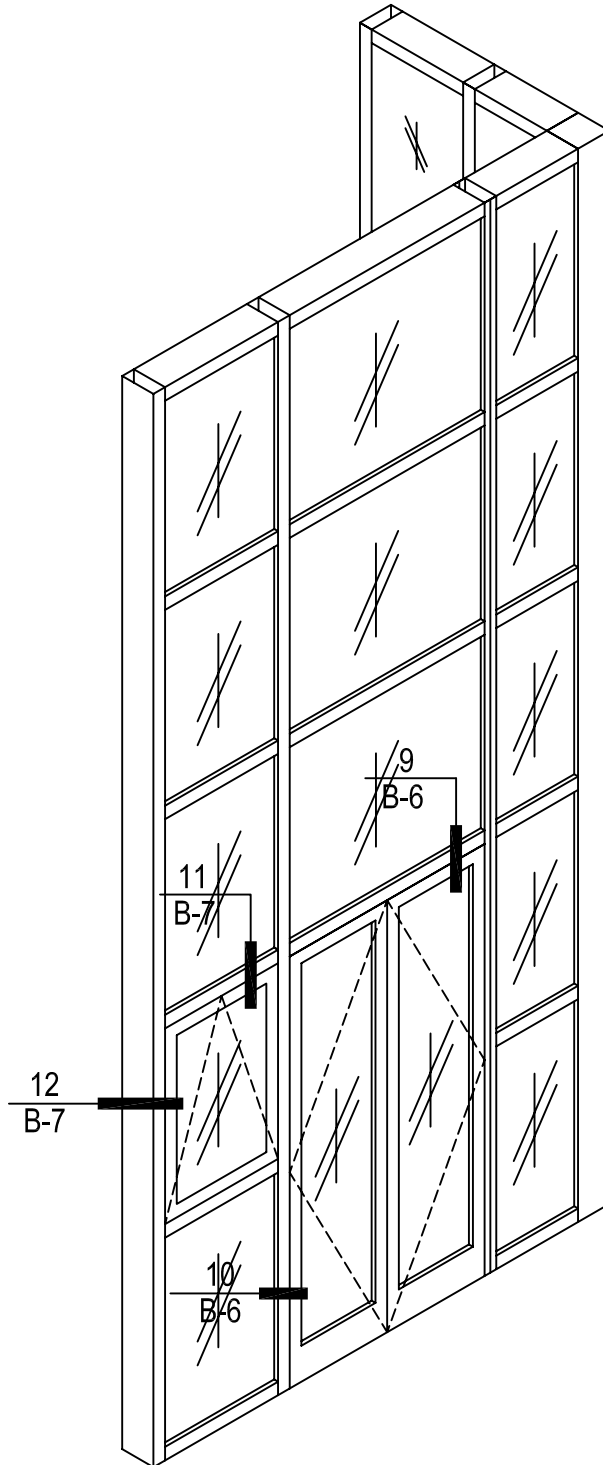


ELEVATIONS

B-1.A



BEAD GLAZE SYSTEM

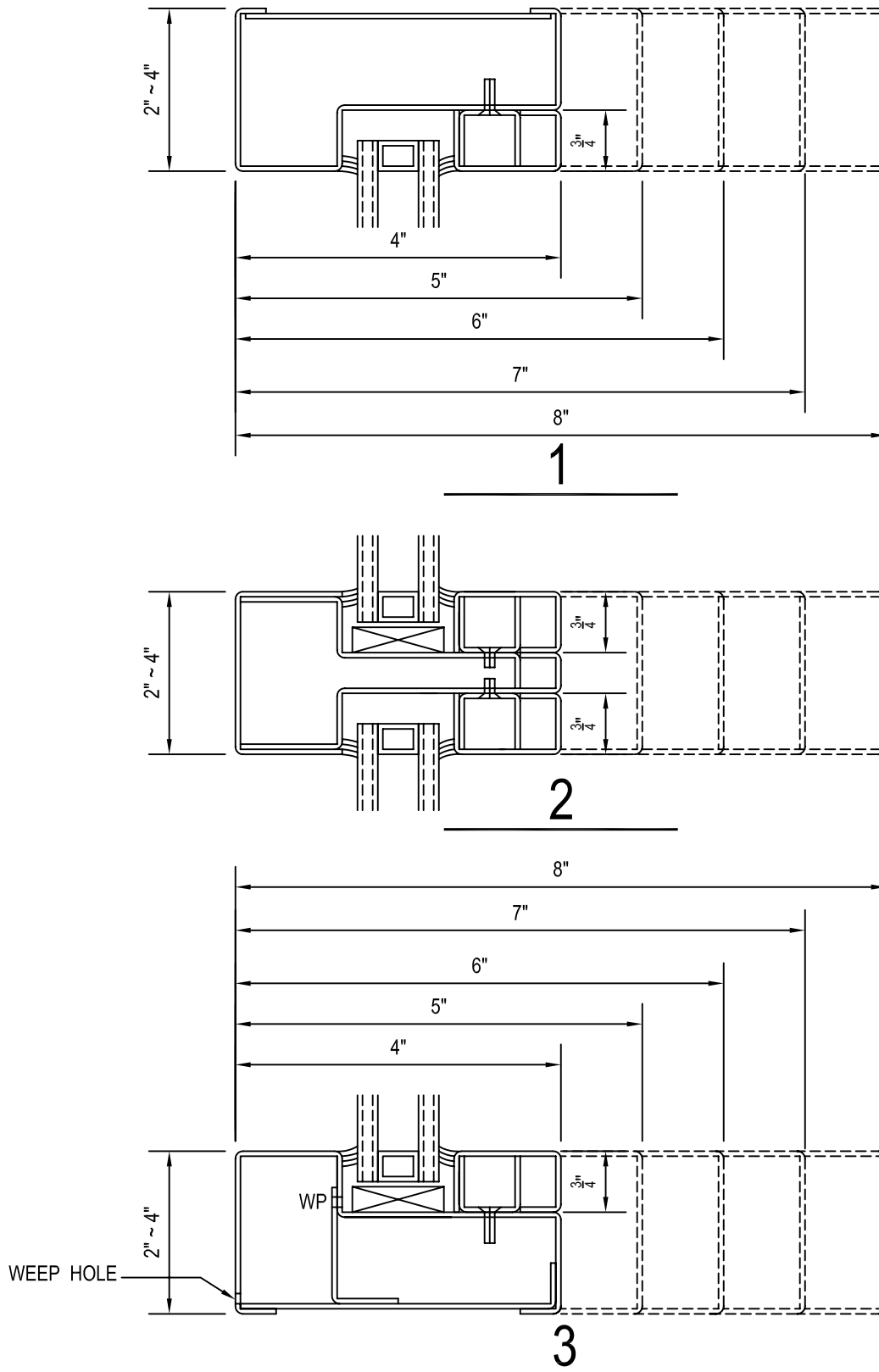


ELEVATIONS

B-1.B

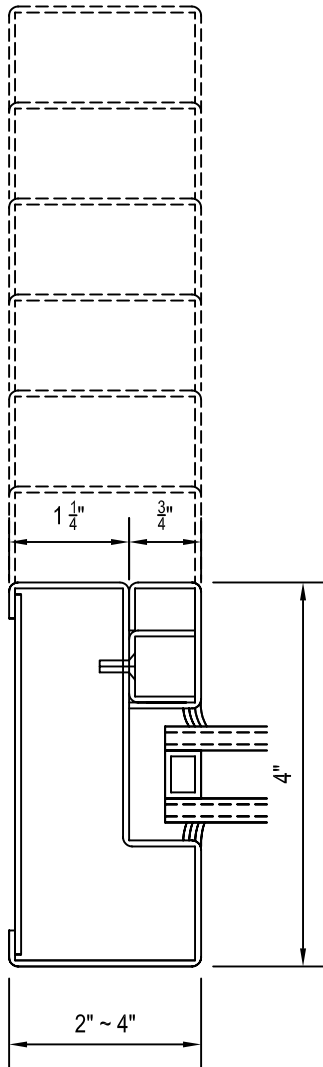


BEAD GLAZE SYSTEM

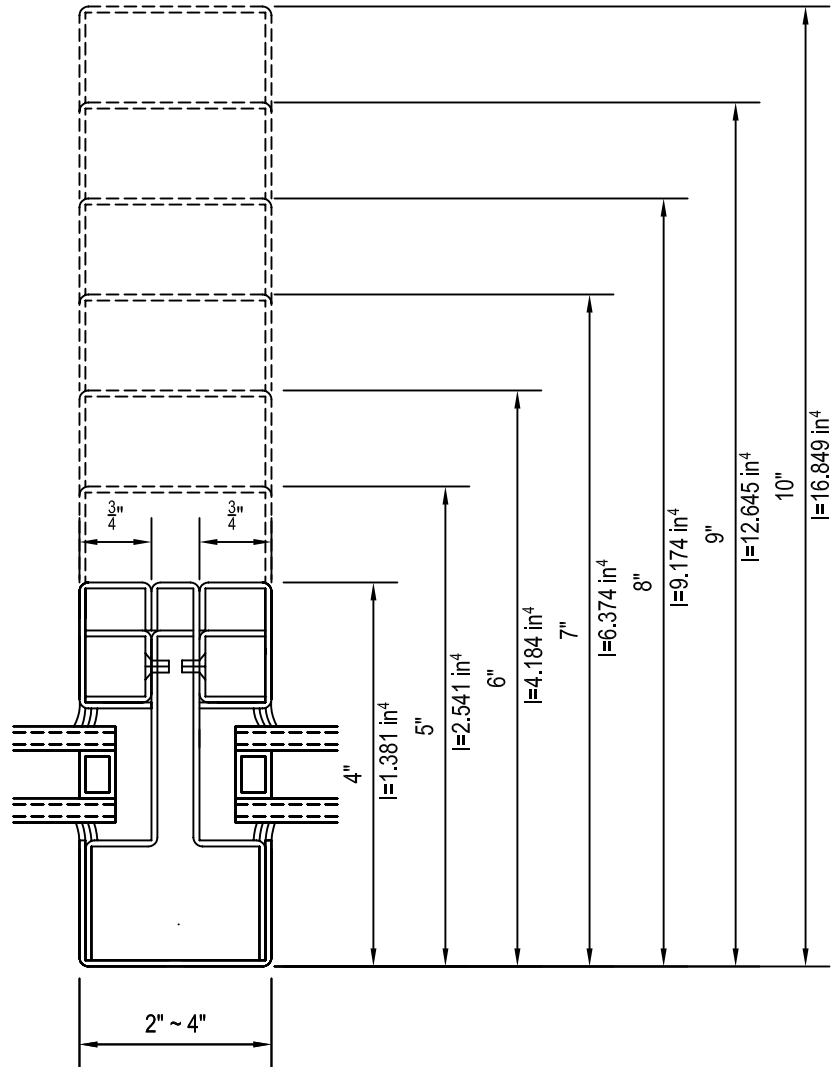




BEAD GLAZE SYSTEM



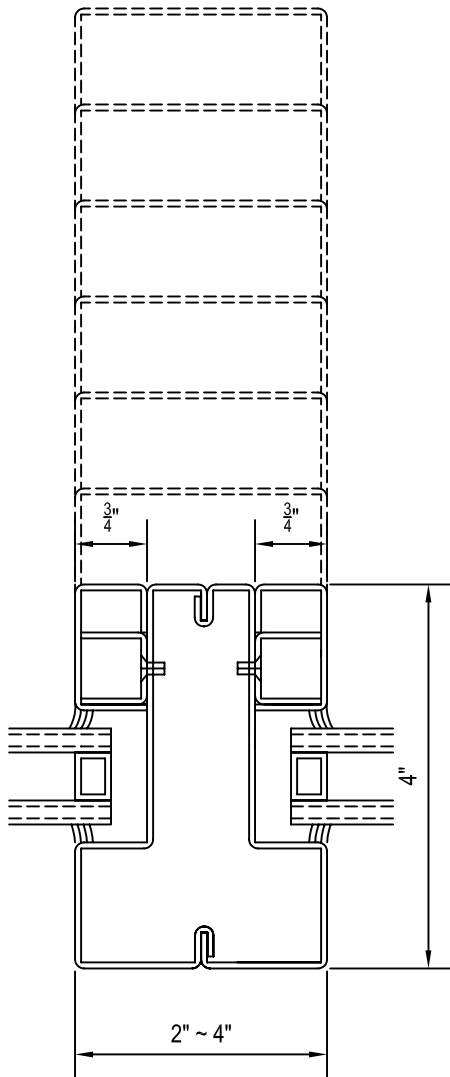
4



5

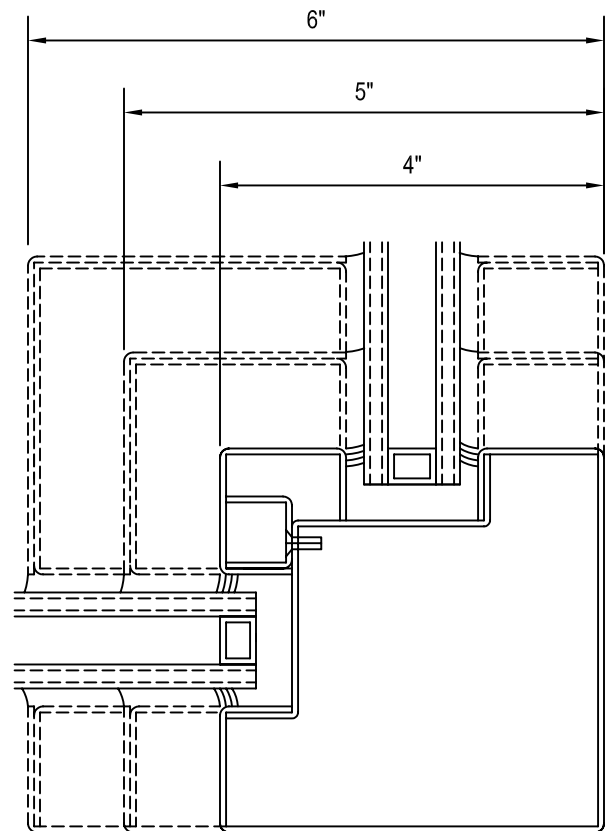


BEAD GLAZE SYSTEM



6

SPLIT-MULLION

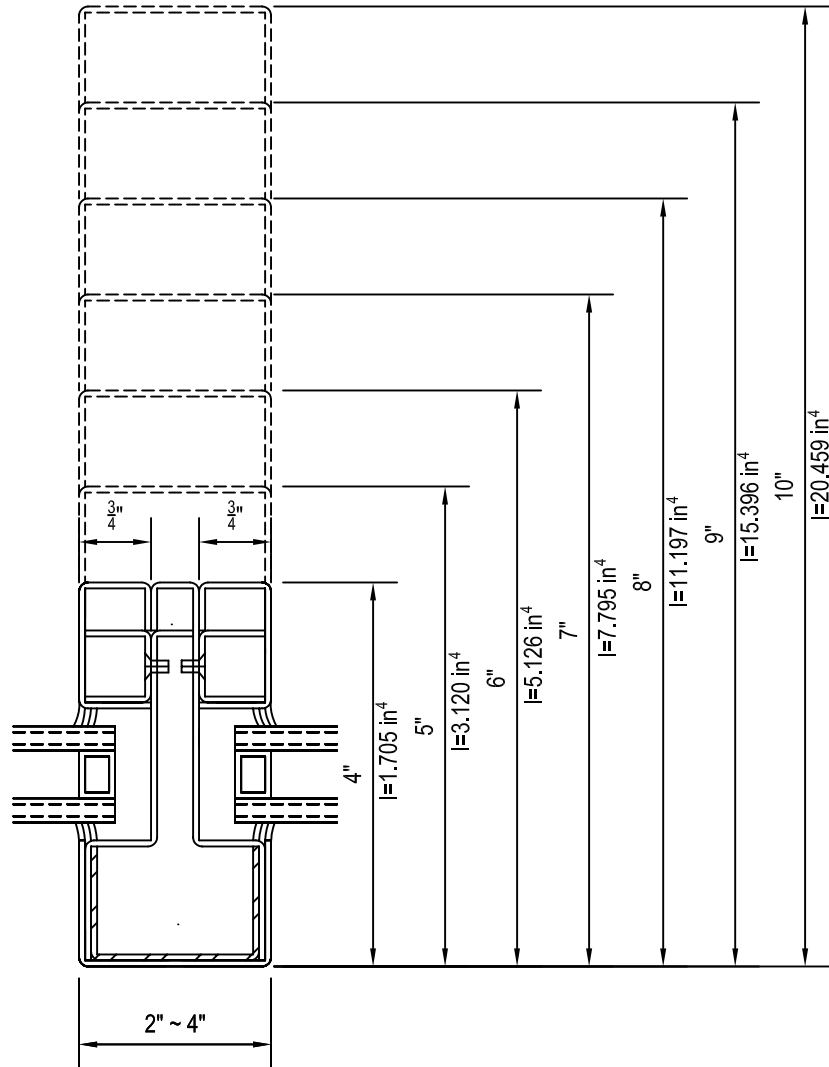


7

90° CORNER MULLION



BEAD GLAZE SYSTEM



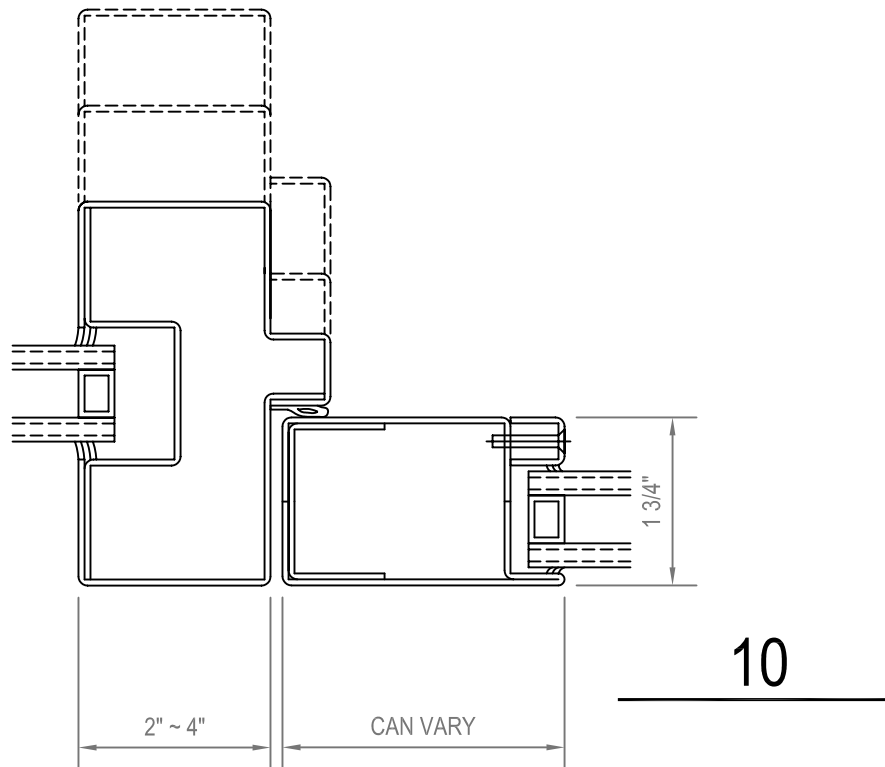
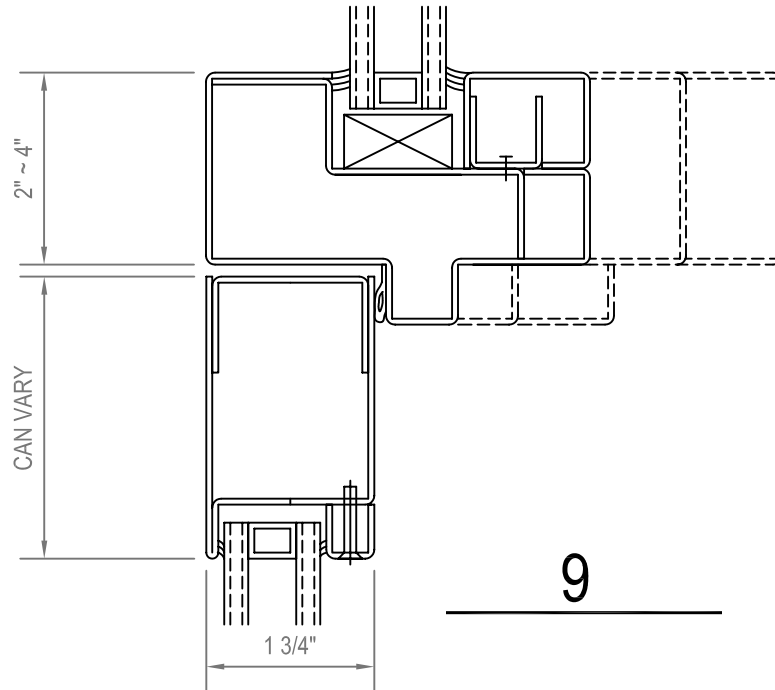
8

14 GAUGE REINFORCING



DOOR AND FRAME

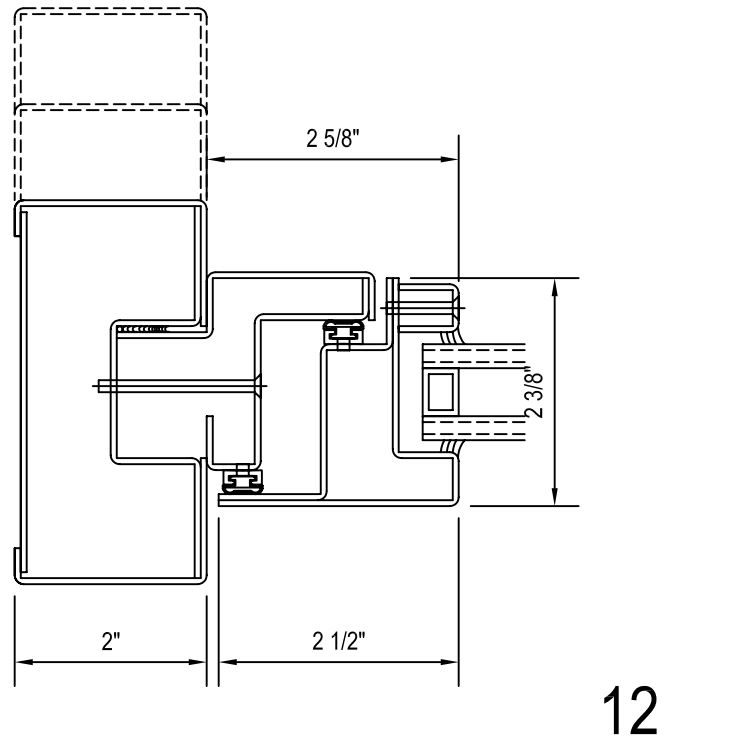
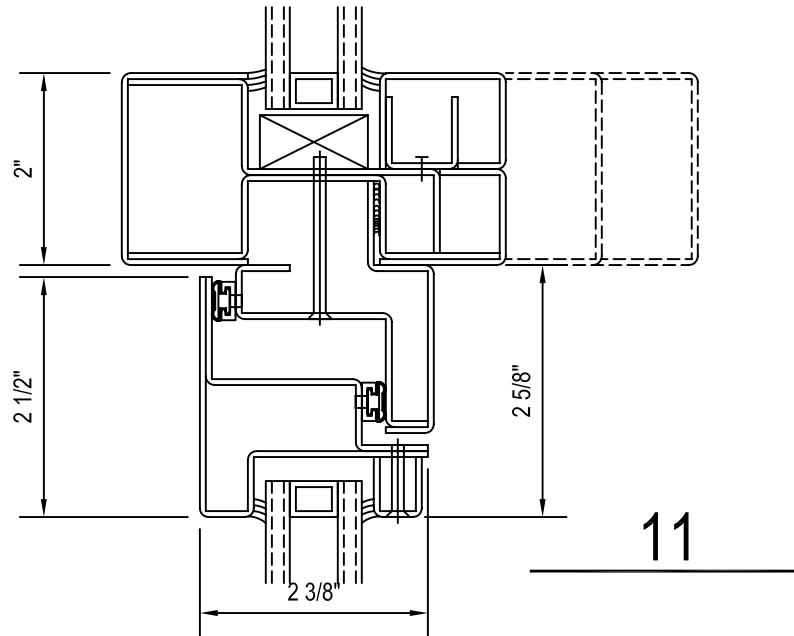
BEAD GLAZE SYSTEM





OPERABLE VENT

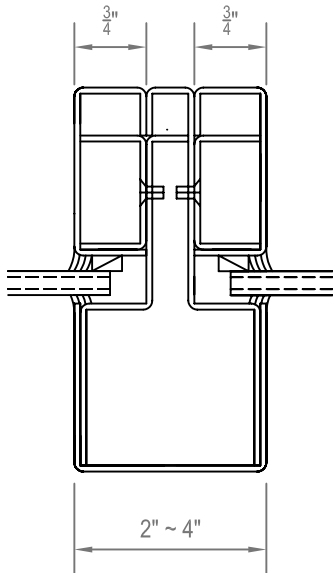
BEAD GLAZE SYSTEM



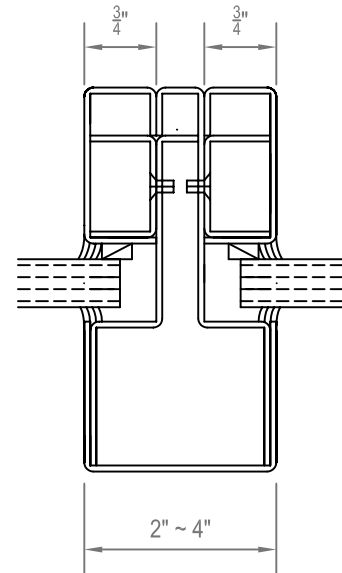


GLAZING OPTION

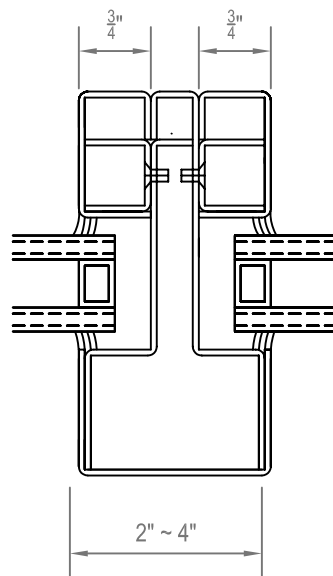
BEAD GLAZE SYSTEM



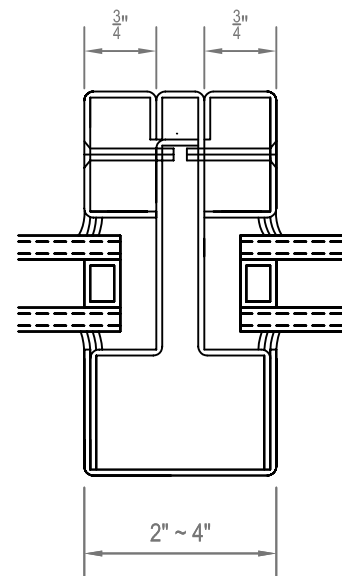
1/4" GLAZING OPTION



1/2" GLAZING OPTION



1" GLAZING OPTION

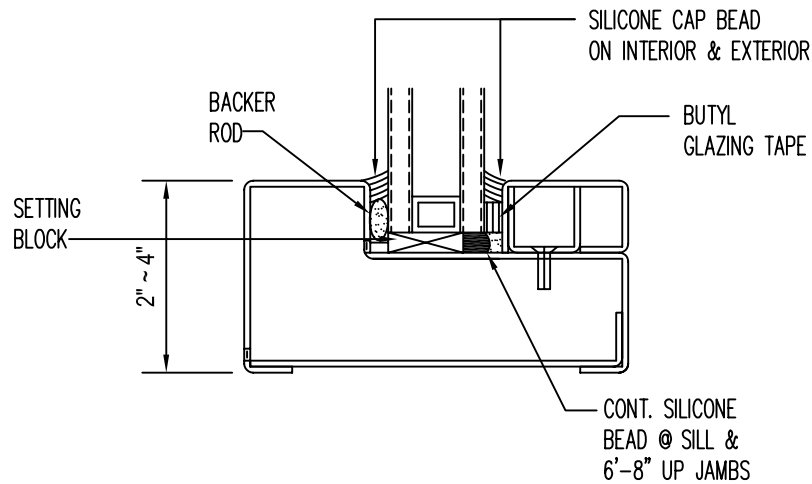


FIRE RATED OPTION



GLAZING OPTIONS

BEAD GLAZE SYSTEM

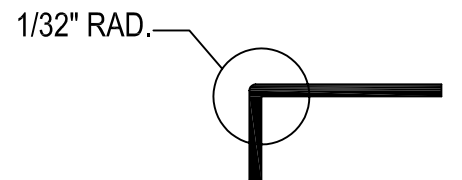
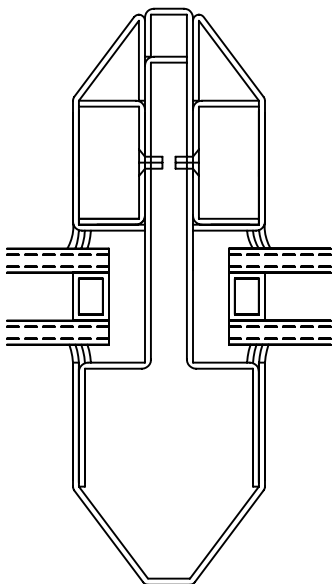
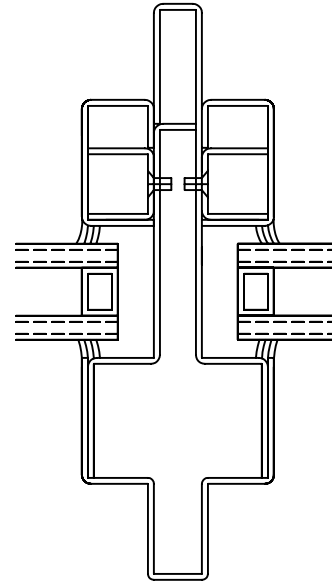
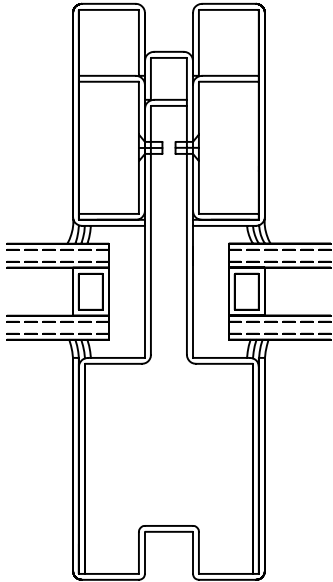


TYPICAL GLAZING DETAIL

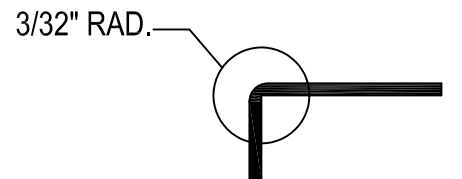


PROFILE OPTIONS

BEAD GLAZE SYSTEM



V-CUT BEND



STANDARD BEND

FLEXIBILITY OF CUSTOM
DESIGNS AND BENDS